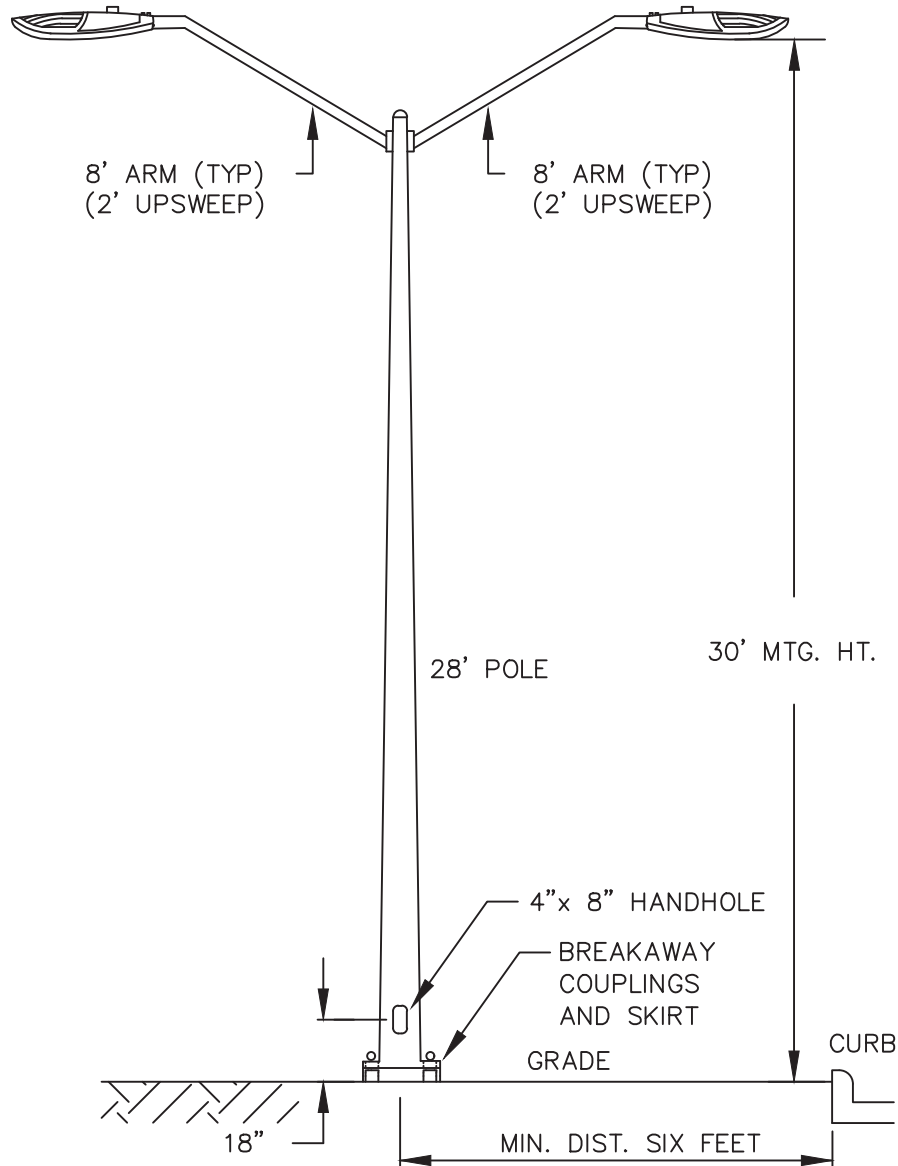


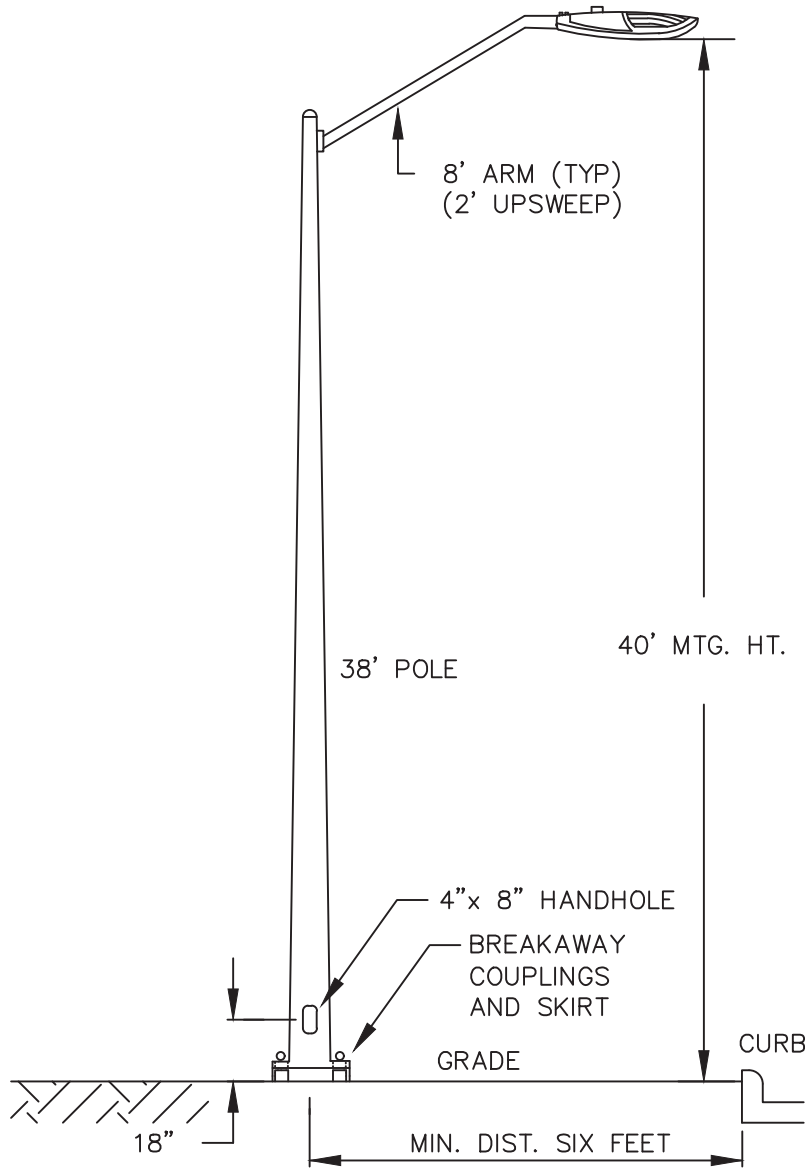
ITEM	STOCK NO	QUANTITY	DESCRIPTION
1	10610002	1	STANDARD, ALUMINUM, 30' w/8' ARM
2	10605012	1	PHOTO CONTROL, L.E.D. LONG LIFE
*	10609021	1	L.E.D. 400 WATT EQ
*	10609020	1	L.E.D. COBRA HEAD, 250 WATT EQ
			* OPTIONAL

LAFAYETTE UTILITIES SYSTEM ENGINEERING DIVISION		TYPICAL 30 FT AL STANDARD WITH 8' ARM	DWG. NO. SLA30-1-8
DATE: 11/13/2002	SCALE: NTS		
DRAWN BY: ELO	CHECKED:		
REVISION: 06/10/2021	APPROVED:		



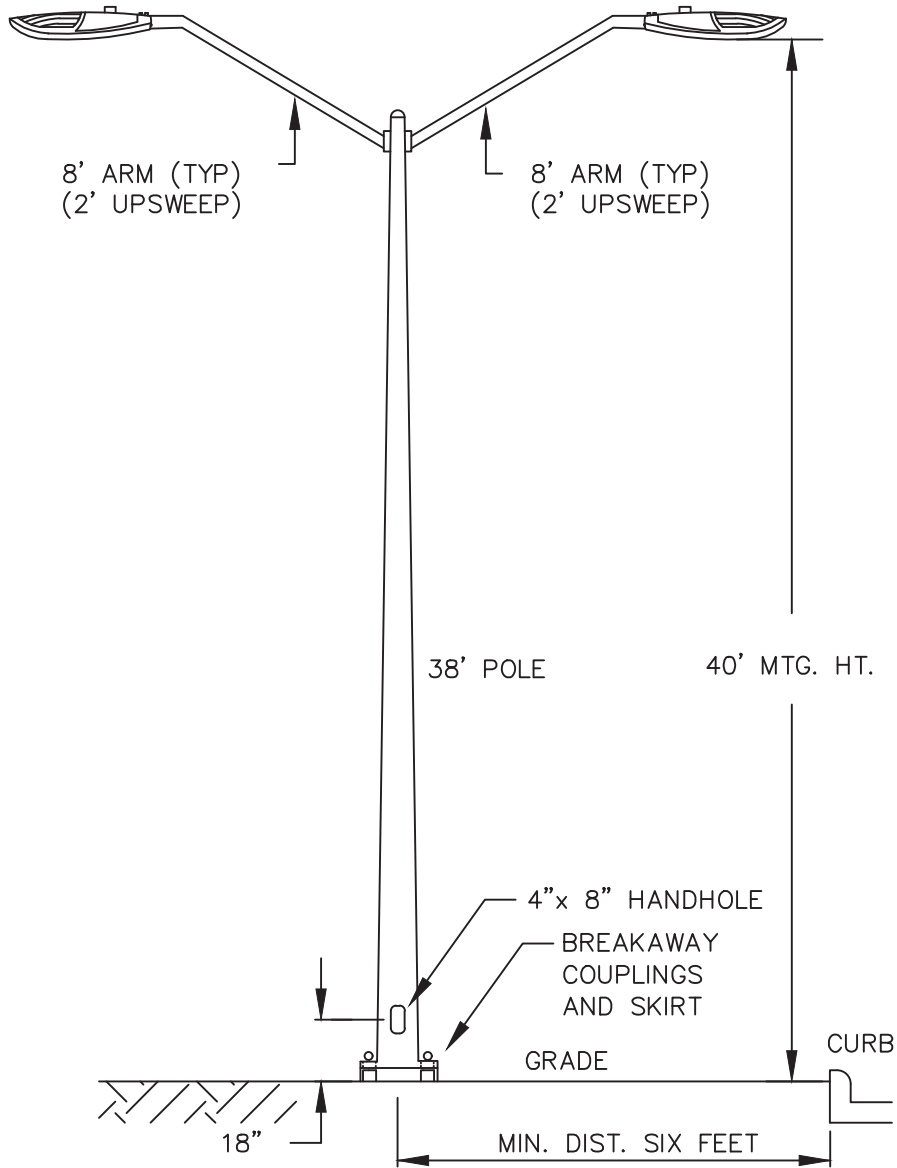
ITEM	STOCK NO	QUANTITY	DESCRIPTION
1	10610003	1	STANDARD, ALUMINUM, 30' w/2-8' ARMS
2	10605012	2	PHOTO CONTROL, L.E.D. LONG LIFE
*	10609021	2	L.E.D. 400 WATT EQ
*	10609020	2	L.E.D. COBRA HEAD, 250 WATT EQ
			* OPTIONAL

LAFAYETTE UTILITIES SYSTEM ENGINEERING DIVISION		TYPICAL 30 FT AL STANDARD WITH 2 - 8' ARMS	DWG. NO. SLA30-2-8
DATE: 11/13/2002	SCALE: NTS		
DRAWN BY: ELO	CHECKED:		
REVISION: 06/30/2021	APPROVED:		



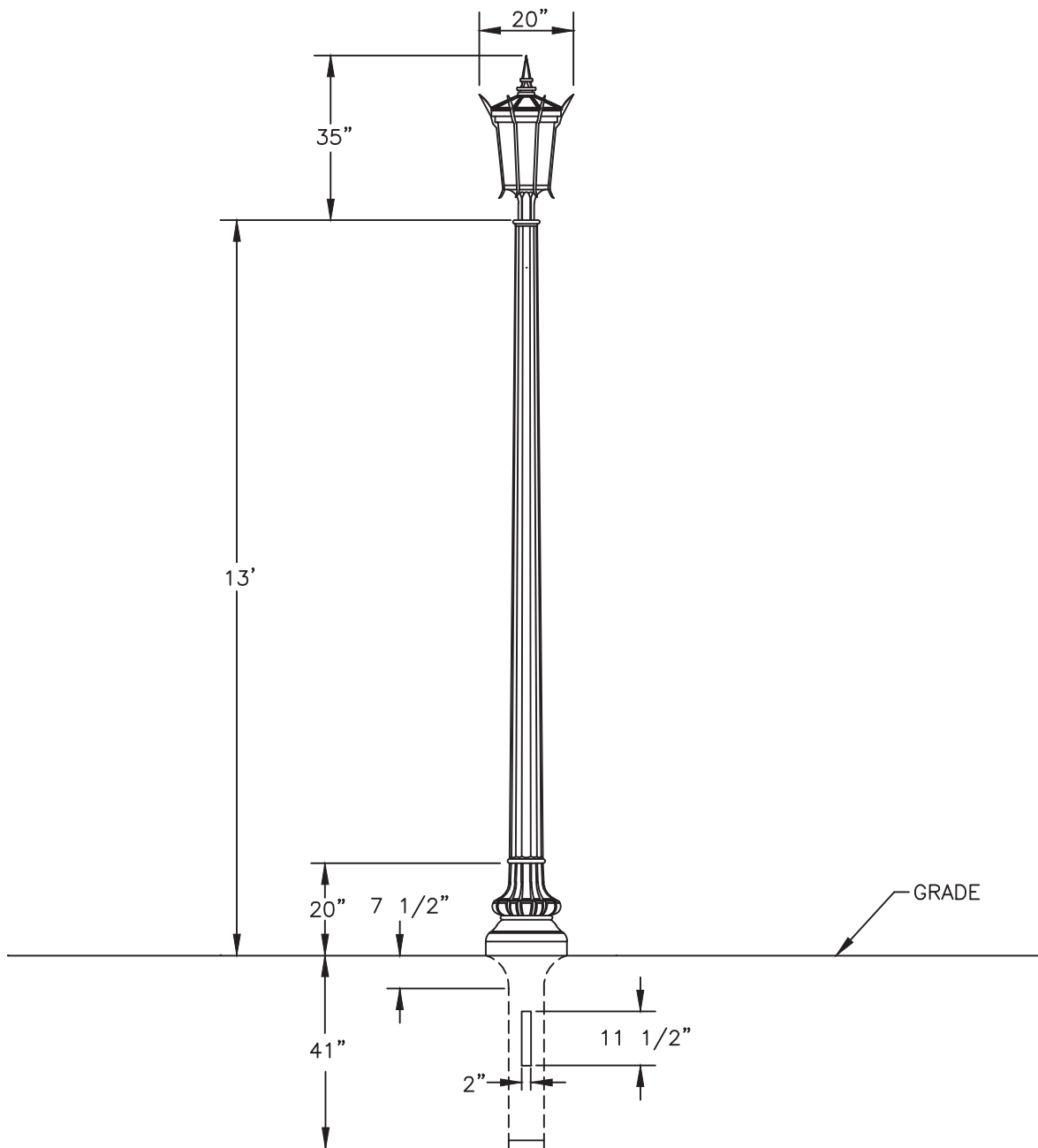
ITEM	STOCK NO	QUANTITY	DESCRIPTION
1	10610008	1	STANDARD, ALUMINUM, 40' w/8' ARM
2	10605012	1	PHOTO CONTROL, L.E.D. LONG LIFE
*	10609021	1	L.E.D. 400 WATT EQ
*	10609020	1	L.E.D. COBRA HEAD, 250 WATT EQ
			* OPTIONAL

LAFAYETTE UTILITIES SYSTEM ENGINEERING DIVISION		TYPICAL 40 FT AL STANDARD WITH 8' ARM	DWG. NO. SLA40-1-8
DATE: 11/13/2002	SCALE: NTS		
DRAWN BY: ELO	CHECKED:		
REVISION: 06/10/2021	APPROVED:		



ITEM	STOCK NO	QUANTITY	DESCRIPTION
1	10610023	1	STANDARD, ALUMINUM, 40' W/2-8'ARMS
2	10605012	2	PHOTO CONTROL, L.E.D. LONG LIFE
*	10609021	2	L.E.D. 400 WATT EQ
*	10609020	2	L.E.D. COBRA HEAD, 250 WATT EQ
			* OPTIONAL

LAFAYETTE UTILITIES SYSTEM ENGINEERING DIVISION		TYPICAL 40 FT AL STANDARD WITH 2 - 8' ARMS	DWG. NO. SLA40-2-8
DATE: 11/13/2002	SCALE: NTS		
DRAWN BY: ELO	CHECKED:		
REVISION: 06/10/2021	APPROVED:		



LAFAYETTE
 UTILITIES SYSTEM
 ENGINEERING DIVISION

STREET LIGHT
 STANDARD, FIBERGLASS
 14' MOUNTING HEIGHT

DWG. NO.

SLD-15F

PG 1 OF 2

DATE: 02/01/1993	SCALE: NTS
DRAWN BY: ELO	CHECKED:
REVISION: 06/10/2021	APPROVED:

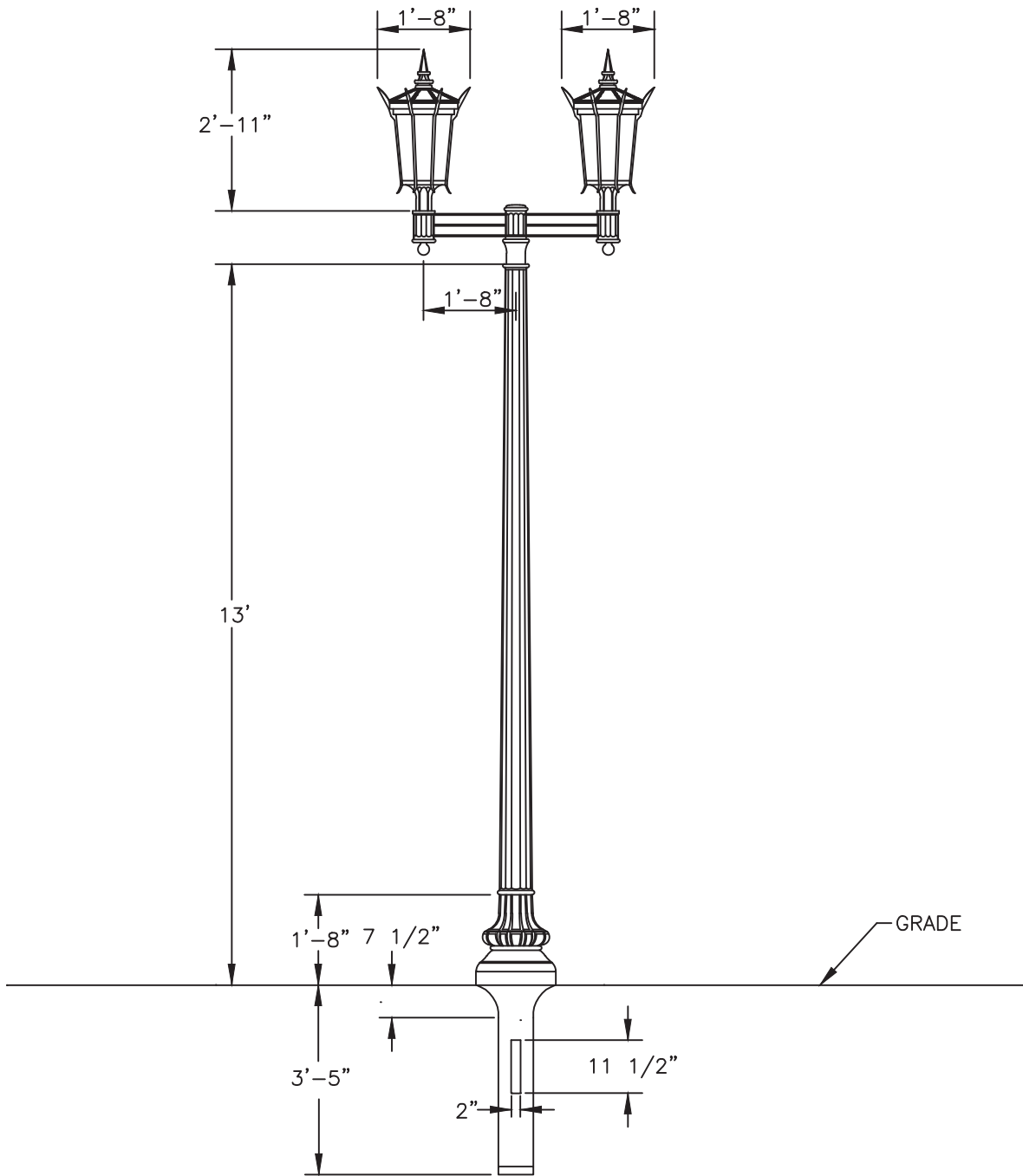
ITEM	STOCK NO	QUANTITY	DESCRIPTION
1	10241001	20	CABLE, 600V, THHN, #12, SOL BLACK (PER POUND)
2	10241002	20	CABLE, 600V, THHN, #12, SOL WHITE (PER POUND)
3	10241003	20	CABLE, 600V, THHN, #12, SOL RED (PER POUND)
4	10241004	20	CABLE, 600V, THHN, #12, SOL GREEN (PER POUND)
5	10423001	1	ROD, GROUND, 5/8" X 8', W/CLAMP
6	10604001	2	FUSEHOLDER, 30 AMP
7	10609022	1	LUMINAIRE, L.E.D., SPIKE LANTERN
8	10610102	1	STANDARD, DECORATIVE, D.B., 14'
9	10754210	2	FUSE, SUPPLEMENTARY, FAST ACTING, 13/32" X 1 1/2", 10 AMP

**LAFAYETTE
 UTILITIES SYSTEM
 ENGINEERING DIVISION**

DATE: 02/01/1993	SCALE: NTS
DRAWN BY: ELO	CHECKED:
REVISION: 09/29/2021	APPROVED:

**STREET LIGHT
 STANDARD, FIBERGLASS
 14' MOUNTING HEIGHT**

**DWG. NO.
 SLD-15F
 PG 2 OF 2**



LAFAYETTE
 UTILITIES SYSTEM
 ENGINEERING DIVISION

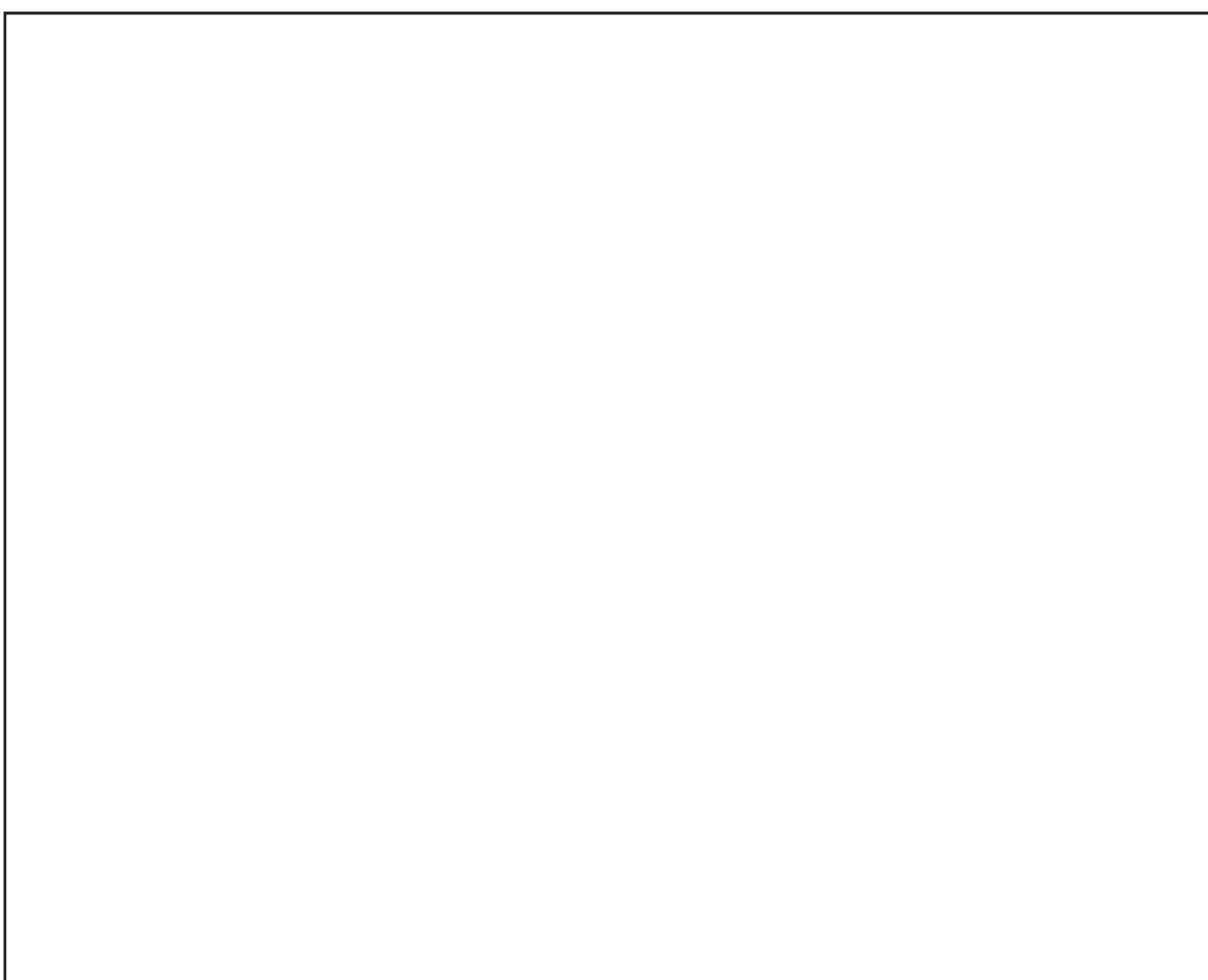
DECORATIVE STANDARD & DOUBLE
 LUMINAIRE, FIBERGLASS,
 15' MOUNTING HEIGHT,
 TENON TOP

DWG. NO.

SLD-15FD

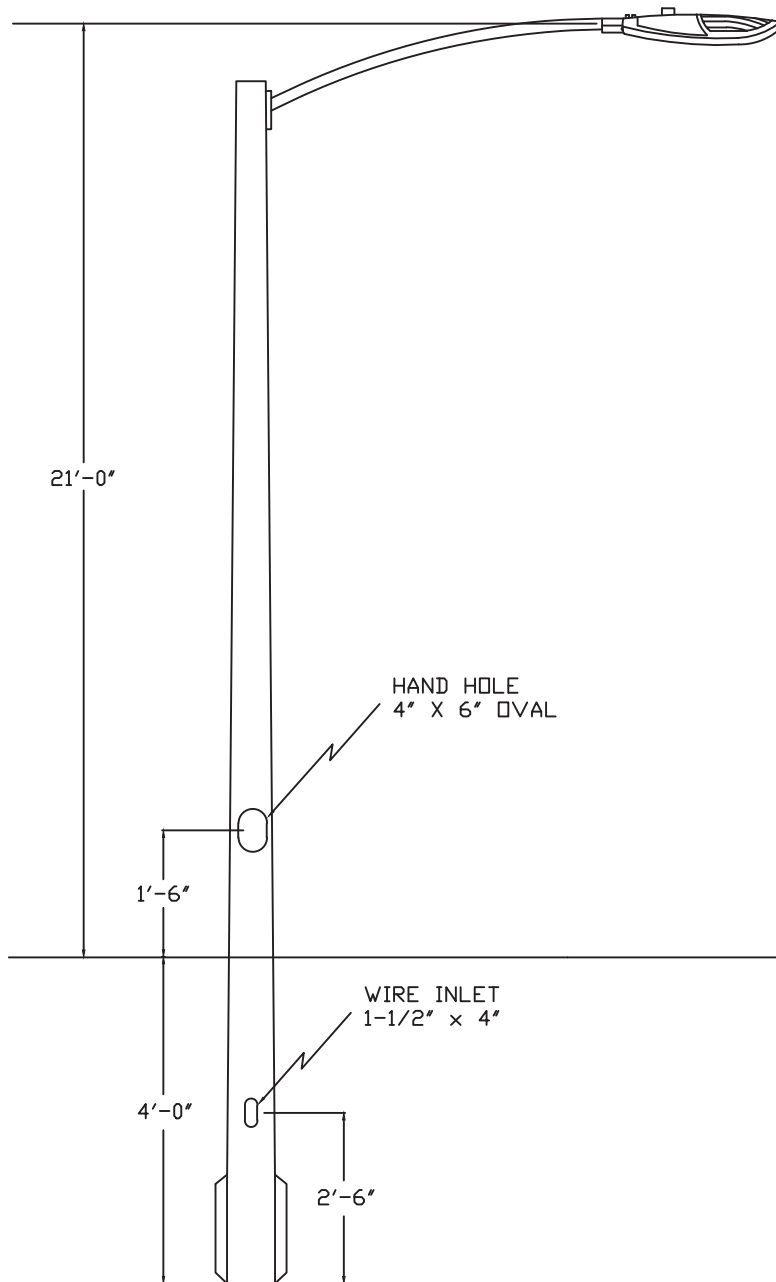
PG 1 OF 2

DATE: 02/01/1993	SCALE: NTS
DRAWN BY: ELO	CHECKED:
REVISION: 06/10/2021	APPROVED:



ITEM	STOCK NO	QUANTITY	DESCRIPTION
1	10241001	20	CABLE, 600V, THHN, #12, SOL BLACK (PER POUND)
2	10241002	20	CABLE, 600V, THHN, #12, SOL WHITE (PER POUND)
3	10241003	20	CABLE, 600V, THHN, #12, SOL RED (PER POUND)
4	10241004	20	CABLE, 600V, THHN, #12, SOL GREEN (PER POUND)
5	10423001	1	ROD, GROUND, 5/8" X 8', W/CLAMP
6	10604001	2	FUSEHOLDER, 30 AMP
7	10609022	2	LUMINAIRE, L.E.D., SPIKE LANTERN
8	10610102	1	STANDARD, DECORATIVE, D.B., 14'
9	10610104	1	BRACKET, DOUBLE, DECORATIVE
10	10754210	2	FUSE, SUPPLEMENTARY, FAST ACTING, 13/32" X 1 1/2", 10 AMP

LAFAYETTE UTILITIES SYSTEM ENGINEERING DIVISION		DECORATIVE STANDARD & DOUBLE LUMINAIRE, FIBERGLASS, 15' MOUNTING HEIGHT, TENON TOP	DWG. NO. SLD-15FD
DATE: 02/01/1993	SCALE: NTS		PG 2 OF 2
DRAWN BY: ELO	CHECKED:		
REVISION: 09/29/2021	APPROVED:		



ITEM	STOCK NO	QUANTITY	DESCRIPTION
------	----------	----------	-------------

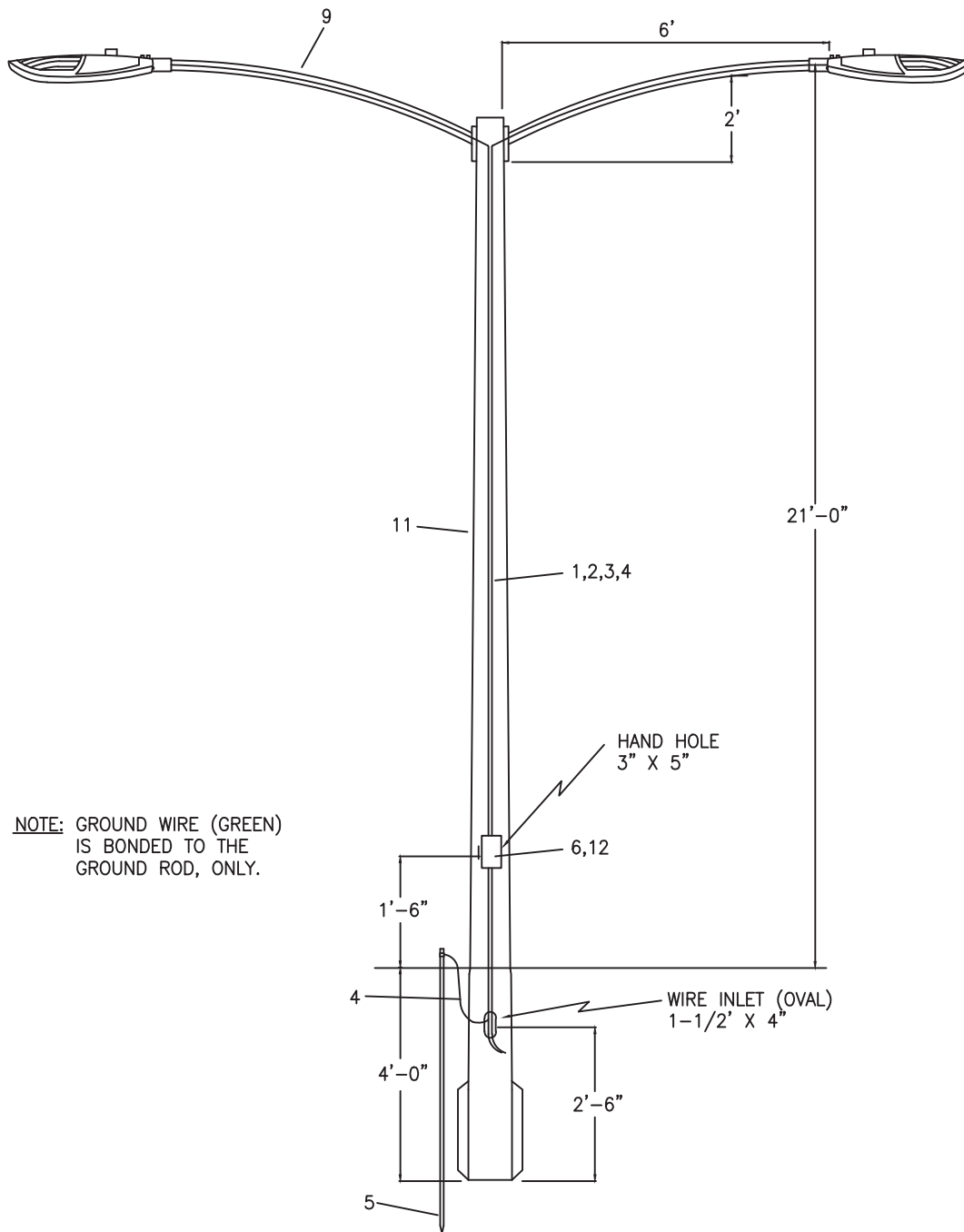
1	10610012	1	STANDARD, FIBERGLASS, 21', D.B.
2	10608016	1	BRACKET, STREET LIGHT, 6', AL OR FBGL POLE
3	10609007	1	LUMINAIRE, L.E.D., 150W NEMA EQ
4	10605012	1	PHOTO CONTROL, L.E.D., LONG LIFE, 120-277 VOLTS

**LAFAYETTE
UTILITIES SYSTEM
ENGINEERING DIVISION**

**STREET LIGHT
STANDARD FIBERGLASS
21' MOUNTING HEIGHT**

**DWG. NO.
SLP-21F**

DATE: 04/01/2003	SCALE: NTS
DRAWN BY: ELO	CHECKED:
REVISION: 09/27/2021	APPROVED:



NOTE: GROUND WIRE (GREEN)
IS BONDED TO THE
GROUND ROD, ONLY.

LAFAYETTE
UTILITIES SYSTEM
ENGINEERING DIVISION

STREET LIGHT DOUBLE
STANDARD, FIBERGLASS
21' MOUNTING HEIGHT

DWG. NO.

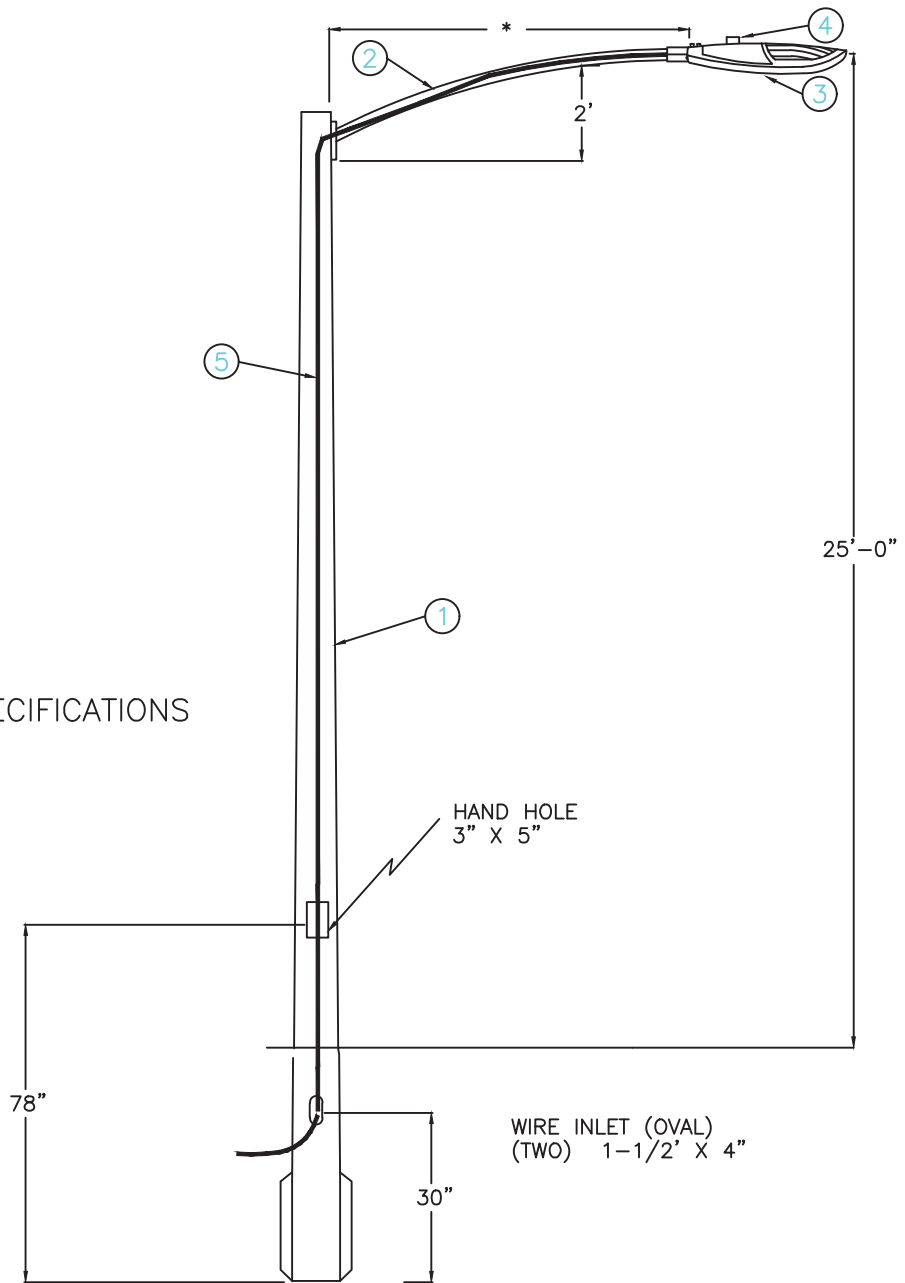
SLP-21FD
150
PG 1 OF 2

DATE: 04/01/2003	SCALE: NTS
DRAWN BY: ELO	CHECKED:
REVISION: 06/10/2021	APPROVED:



ITEM	STOCK NO	QUANTITY	DESCRIPTION
1	10241001	30	CABLE, 600V, THHN, #12, SOL BLACK (PER POUND)
2	10241002	30	CABLE, 600V, THHN, #12, SOL WHITE (PER POUND)
3	10241003	30	CABLE, 600V, THHN, #12, SOL RED (PER POUND)
4	10241004	30	CABLE, 600V, THHN, #12, SOL GREEN (PER POUND)
5	10423001	1	ROD, GROUND, 5/8" X 8', W/CLAMP
6	10604001	2	FUSEHOLDER, 30 AMP
7	10605012	2	PHOTO CONTROL, L.E.D. LONG LIFE
*	10609020	1	L.E.D. COBRA HEAD, 250 WATT E.Q.
*	10609021	1	L.E.D. 400 WATT E.Q.
8	10608016	2	BRACKET, STREET LIGHT, 6', AL OR FBGL POLE
9	10610003	1	STANDARD, ALUMINUM, 30' w/2-8' ARMS
10	10754210	2	FUSE, SUPPLEMENTARY, FAST ACTING, 13/32" X 1 1/2", 10 AMP
			* OPTIONAL

LAFAYETTE UTILITIES SYSTEM ENGINEERING DIVISION		STREET LIGHT DOUBLE STANDARD, FIBERGLASS 21' MOUNTING HEIGHT	DWG. NO. SLP-21FD 150 PG 2 OF 2
DATE: 02/01/1993	SCALE: NTS		
DRAWN BY: ELO	CHECKED:		
REVISION: 09/29/2021	APPROVED:		



LAFAYETTE
UTILITIES SYSTEM
ENGINEERING DIVISION

STREET LIGHT
STANDARD FIBERGLASS
25' MOUNTING HEIGHT

DWG. NO.

SLP-25F

PG 1 OF 2

DATE: 09/16/1993	SCALE: NTS
DRAWN BY: ELO	CHECKED:
REVISION: 09/27/2021	APPROVED:

* = AS PER SPECIFICATIONS

ITEM	STOCK NO	QUANTITY	DESCRIPTION
1	10610110	1	STANDARD, FIBERGLASS, 25' DIRECT BURIAL
2	1060801*	1	BRACKET, ALUMINUM, *,FOR FIBERGLASS POLE
3	10609007	1	LUMINAIRE, LED, 150W, NEMA HEAD EQ
4	10605012	1	PHOTO CONTROL, LED LONG LIFE, 120-277V
5	10241001	40'	CABLE, 600 V, THHN, #12 SOL, BLACK
5	10241002	40'	CABLE, 600 V, THHN, #12 SOL, WHITE
5	10241003	40'	CABLE, 600 V, THHN, #12 SOL, RED
5	10241004	40'	CABLE, 600 V, THHN, #12 SOL, GREEN

LAFAYETTE
UTILITIES SYSTEM
ENGINEERING DIVISION

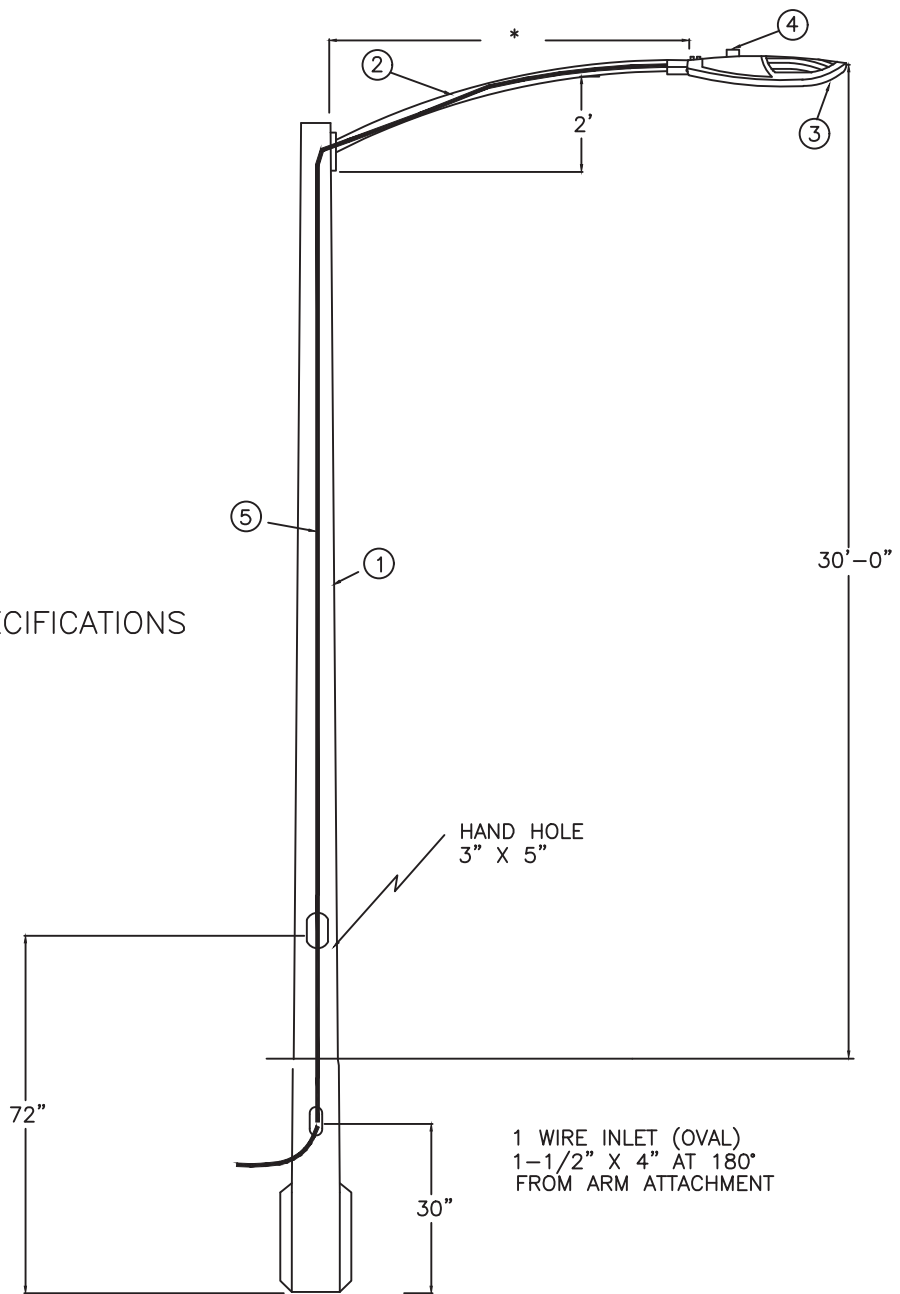
STREET LIGHT
STANDARD FIBERGLASS
25' MOUNTING HEIGHT

DWG. NO.

SLP-25F

PG 2 OF 2

DATE: 09/15/1992	SCALE: NTS
DRAWN BY: ELO	CHECKED:
REVISION: 09/27/2021	APPROVED:



LAFAYETTE
UTILITIES SYSTEM
ENGINEERING DIVISION

STREET LIGHT
STANDARD FIBERGLASS
30' MOUNTING HEIGHT

DWG. NO.

SLP-30F

PG 1 OF 2

DATE: 02/01/93	SCALE: NTS
DRAWN BY: ELO	CHECKED:
REVISION: 09/27/2021	APPROVED:

* = AS PER SPECIFICATIONS

ITEM	STOCK NO	QUANTITY	DESCRIPTION
1	10610006	1	STANDARD, FIBERGLASS, 30' DIRECT BURIAL
2	1060801*	1	BRACKET, ALUMINUM, *,FOR FIBERGLASS POLE
3	10609007	1	LUMINAIRE, LED, 150W, NEMA EQ
4	10605012	1	PHOTO CONTROL, LED, LONG LIFE 120-277 VOLTS
5	10241001	40'	CABLE, 600 V, THHN, #12 SOL, BLACK
5	10241002	40'	CABLE, 600 V, THHN, #12 SOL, WHITE
5	10241003	40'	CABLE, 600 V, THHN, #12 SOL, RED
5	10241004	40'	CABLE, 600 V, THHN, #12 SOL, GREEN

LAFAYETTE
UTILITIES SYSTEM
ENGINEERING DIVISION

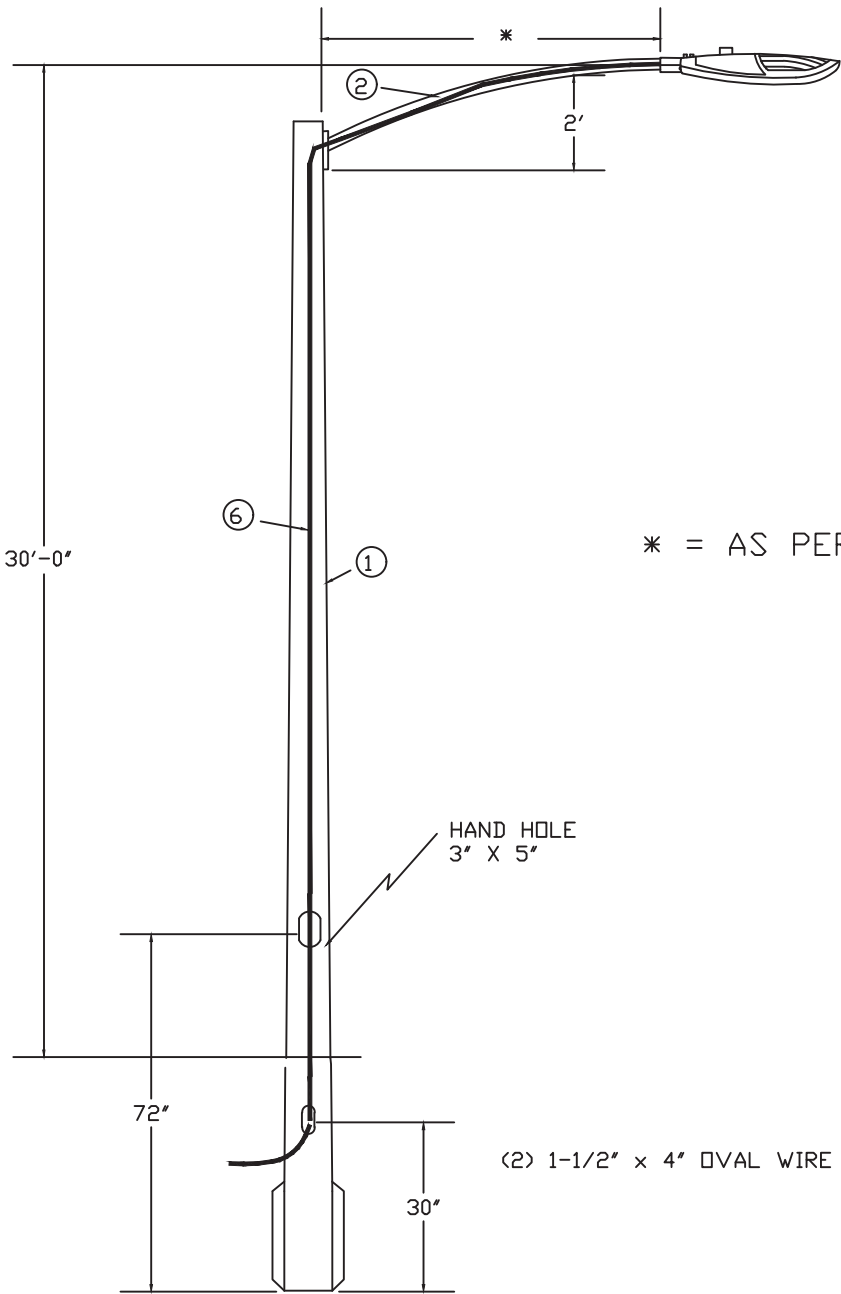
**STREET LIGHT
STANDARD FIBERGLASS
30' MOUNTING HEIGHT**

DWG. NO.

SLP-30F

PG 2 OF 2

DATE: 02/01/93	SCALE: NTS
DRAWN BY: ELO	CHECKED:
REVISION: 09/27/2021	APPROVED:



* = AS PER SPECIFICATIONS

(2) 1-1/2" x 4" OVAL WIRE INLETS

LAFAYETTE
UTILITIES SYSTEM
ENGINEERING DIVISION

STREET LIGHT
STANDARD, FIBERGLASS
30' MOUNTING HEIGHT

DWG. NO.
SLP-30FC
PG 1 OF 2

DATE: 08/01/1995	SCALE: NTS
DRAWN BY: ELO	CHECKED:
REVISION: 06/30/2021	APPROVED:

* = AS PER SPECIFICATIONS

ITEM	STOCK NO	QUANTITY	DESCRIPTION
1	10610006	1	STANDARD, FIBERGLASS, 30' DIRECT BURIAL
2	1060801*	1	BRACKET, ALUMINUM, *, FOR FIBERGLASS POLE
3	10605012	1	PHOTO, CONTROL, L.E.D. LONG LIFE
*	10609020	1	L.E.D. COBRA HEAD, 250 WATT EQ
*	10609021	1	L.E.D. COBRA HEAD, 400 WATT EQ
6	10241001	40'	CABLE, 600 V, THHN, #12 SOL, BLACK
6	10241002	40'	CABLE, 600 V, THHN, #12 SOL, WHITE
6	10241003	40'	CABLE, 600 V, THHN, #12 SOL, RED
6	10241004	40'	CABLE, 600 V, THHN, #12 SOL, GREEN
			* OPTIONAL

LAFAYETTE
UTILITIES SYSTEM
ENGINEERING DIVISION

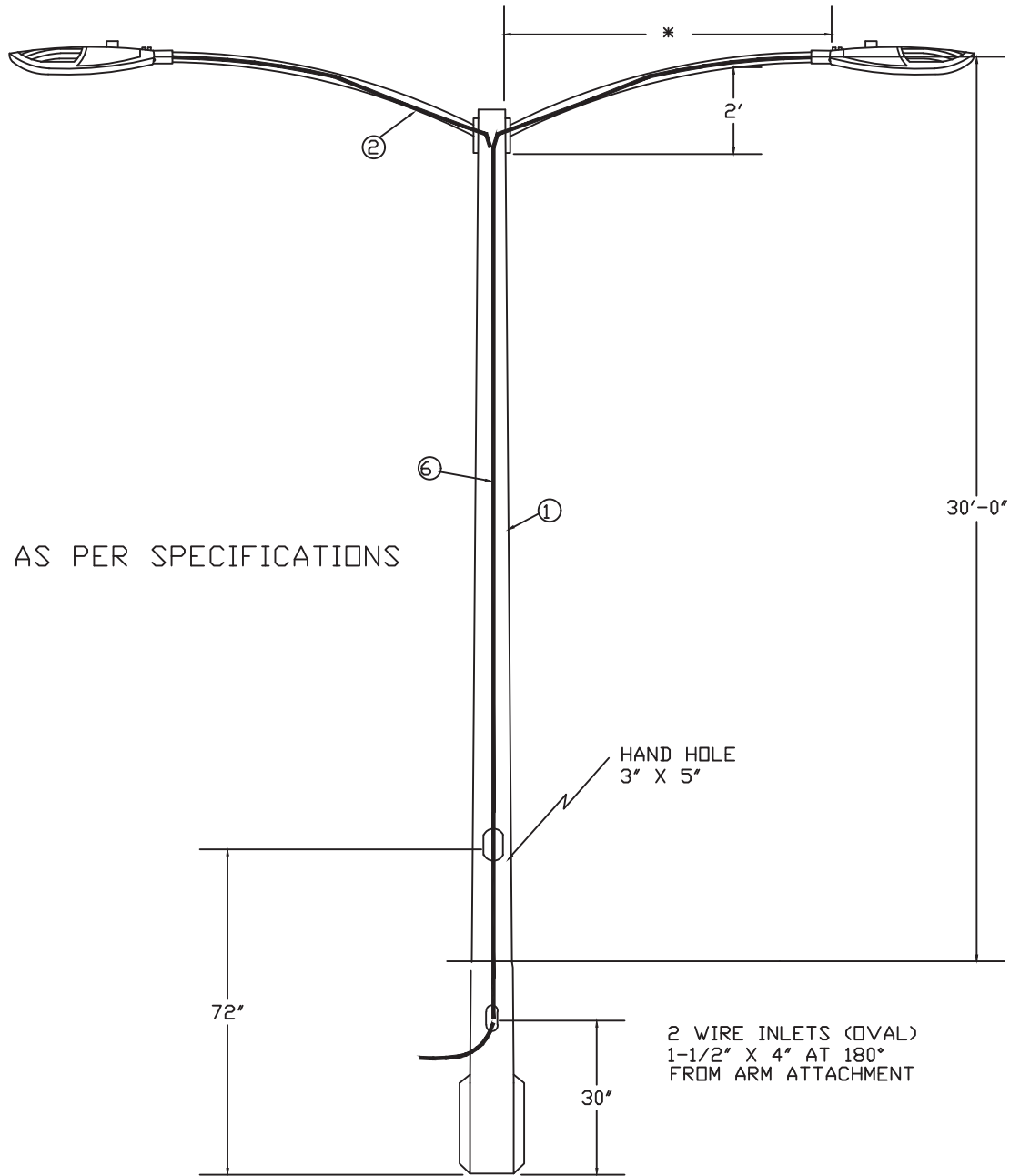
STREET LIGHT
STANDARD, FIBERGLASS
30' MOUNTING HEIGHT

DWG. NO.

SLP-30FC

PG 2 OF 2

DATE: 08/01/1995	SCALE: NTS
DRAWN BY: ELO	CHECKED:
REVISION: 06/30/2021	APPROVED:



* = AS PER SPECIFICATIONS

HAND HOLE
3" X 5"

2 WIRE INLETS (OVAL)
1-1/2" X 4" AT 180°
FROM ARM ATTACHMENT

LAFAYETTE
UTILITIES SYSTEM
ENGINEERING DIVISION

STREET LIGHT DOUBLE
STANDARD, FIBERGLASS
30' MOUNTING HEIGHT

DWG. NO.

SLP-30FD

PG 1 OF 2

DATE: 02/01/1993	SCALE: NTS
DRAWN BY: ELO	CHECKED:
REVISION: 06/30/2021	APPROVED:

* = AS PER SPECIFICATIONS

ITEM	STOCK NO	QUANTITY	DESCRIPTION
1	10610006	1	STANDARD, FIBERGLASS, 30' DIRECT BURIAL
2	1060801*	2	BRACKET, ALUMINUM, *, FOR FIBERGLASS POLE
3	10605012	2	PHOTO, CONTROL, L.E.D. LONG LIFE
*	10609020	2	L.E.D. COBRA HEAD, 250 WATT EQ
*	10609021	2	L.E.D. COBRA HEAD, 400 WATT EQ
6	10241001	80'	CABLE, 600 V, THHN, #12 SOL, BLACK
6	10241002	80'	CABLE, 600 V, THHN, #12 SOL, WHITE
6	10241003	40'	CABLE, 600 V, THHN, #12 SOL, RED
6	10241004	40'	CABLE, 600 V, THHN, #12 SOL, GREEN
			* OPTIONAL

LAFAYETTE
UTILITIES SYSTEM
ENGINEERING DIVISION

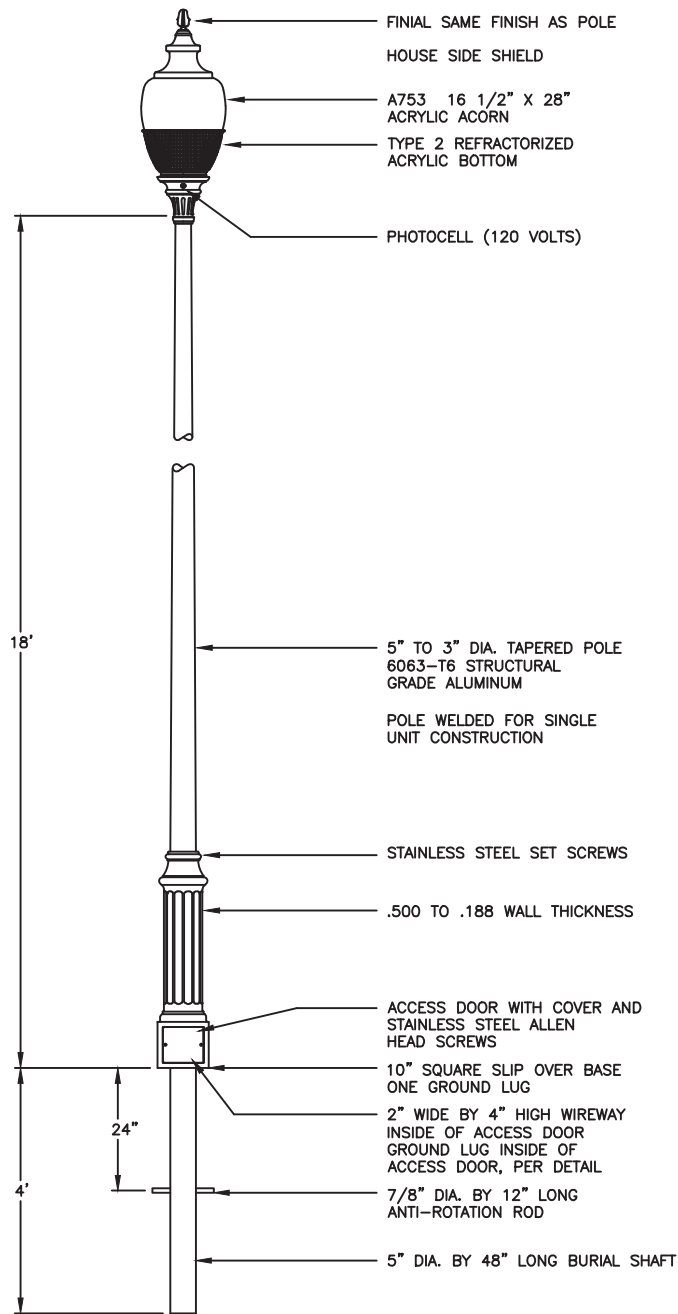
**STREET LIGHT DOUBLE
STANDARD, FIBERGLASS
30' MOUNTING HEIGHT**

DWG. NO.

SLP-30FD

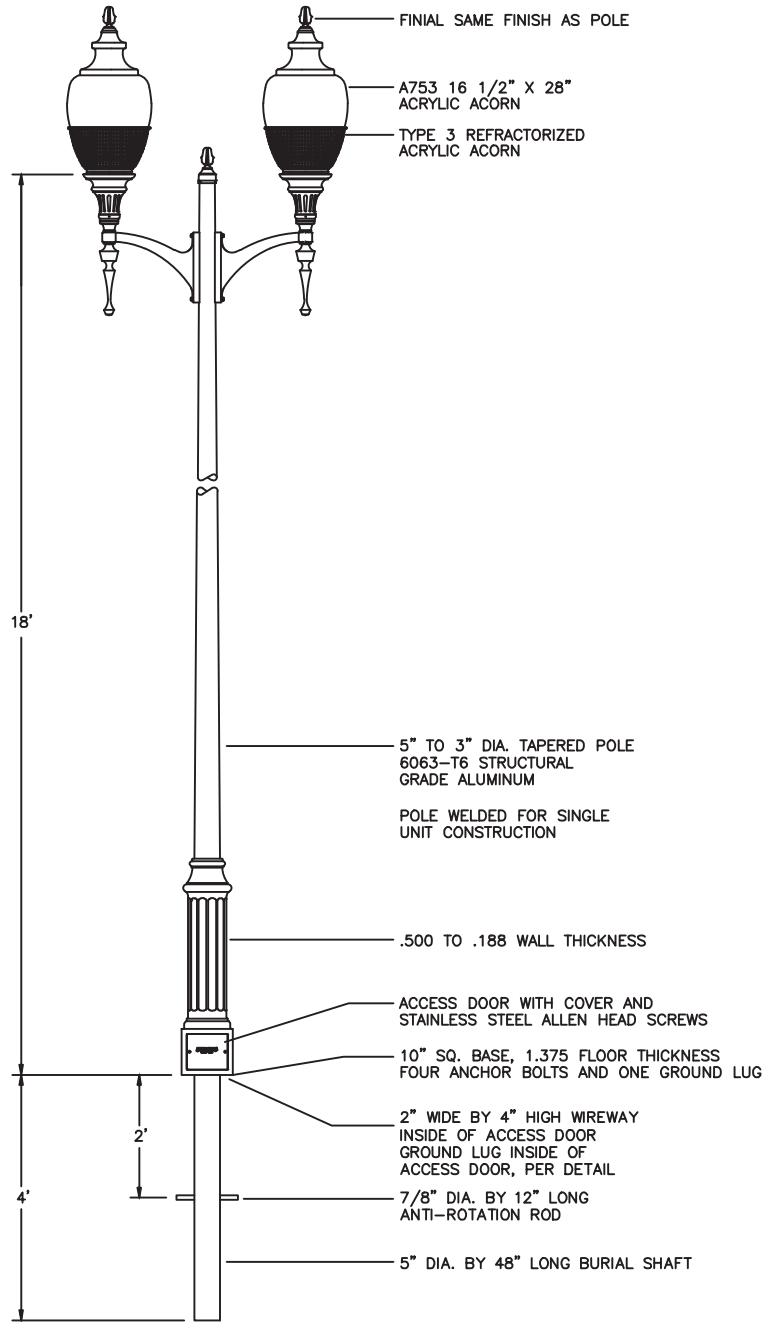
PG 2 OF 2

DATE: 02/01/1993	SCALE: NTS
DRAWN BY: ELO	CHECKED:
REVISION: 06/30/2021	APPROVED:



ITEM	STOCK NO	QUANTITY	DESCRIPTION
1	10610108	1	STANDARD DECORATIVE (II), D.B., 18'
2	10609023	1	LUMINAIRE, LED, RIVER RANCH

LAFAYETTE UTILITIES SYSTEM ENGINEERING DIVISION		DECORATIVE STANDARD & DOUBLE LUMINAIRE, FIBERGLASS, 15' MOUNTING HEIGHT, TENON TOP	DWG. NO. SLP-RR1
DATE: 11/19/2002	SCALE: NTS		
DRAWN BY: ELO	CHECKED:		
REVISION: 09/29/2021	APPROVED:		



ITEM	STOCK NO	QUANTITY	DESCRIPTION
1	10609023	2	LUMINAIRE, LED, RIVER RANCH FIXTURE
2	10610108	1	STANDARD, DECORATIVE, (II), D.B., 18', TWIN LUMINAIRE
3	10610113	2	BRACKET, DOUBLE, DECORATIVE (II)

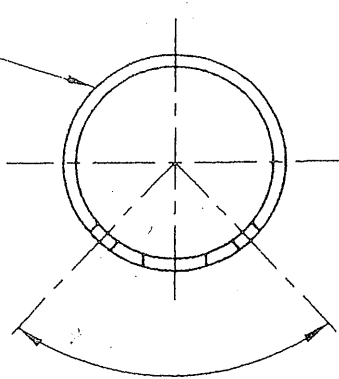
LAFAYETTE
UTILITIES SYSTEM
ENGINEERING DIVISION

DECORATIVE STANDARD & DOUBLE
LUMINAIRE, FIBERGLASS,
15' MOUNTING HEIGHT,
TENON TOP

DWG. NO.
SLP-RR2

DATE: 11/19/2002 SCALE: NTS
DRAWN BY: ELO CHECKED:
REVISION: 09/27/2021 APPROVED:

4 1/2" DIA. POLE

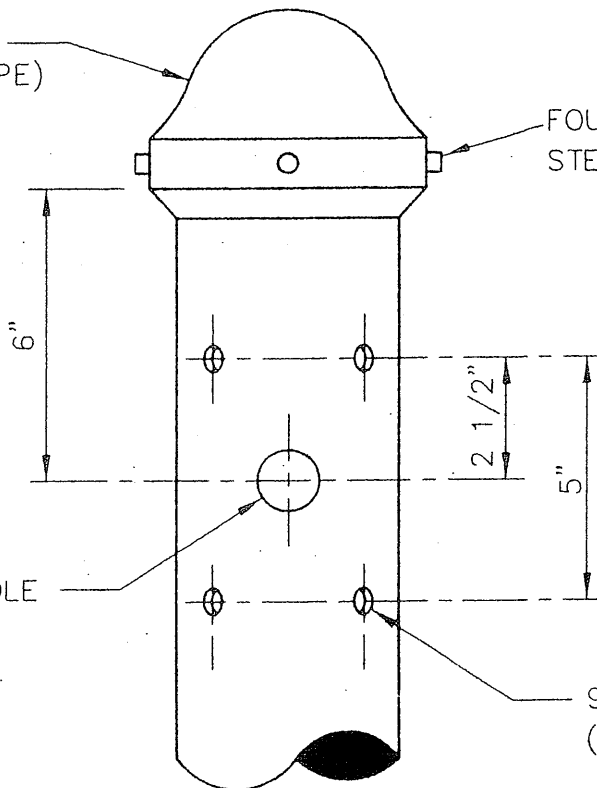


TOP VIEW

3 3/8" ARC @ 86°

POLE CAP
(DOME TYPE)

FOUR 1/4" - 20 STAINLESS
STEEL HEX HEAD BOLTS



1 1/4" DIA. HOLE

9/16" DIA. HOLES
(TYPICAL OF 4)

LUMINAIRE ARM CONNECTION

BOLT CIRCLE IS 7.0"

ITEM	STOCK NO	QUANTITY	DESCRIPTION
1	10610002	1	STANDARD, ALUMINUM, 30' w/8' ARM
2	10610008	1	STANDARD, ALUMINUM, 40' w/8' ARM
3	10610003	1	STANDARD, ALUMINUM, 30' w/2-8' ARMS
4	10610023	1	STANDARD, ALUMINUM, 40' w/2-8' ARMS

**LAFAYETTE
UTILITIES SYSTEM**

ENGINEERING DIVISION

**POLE CAP &
LUMINAIRE ARM CONNECTION**

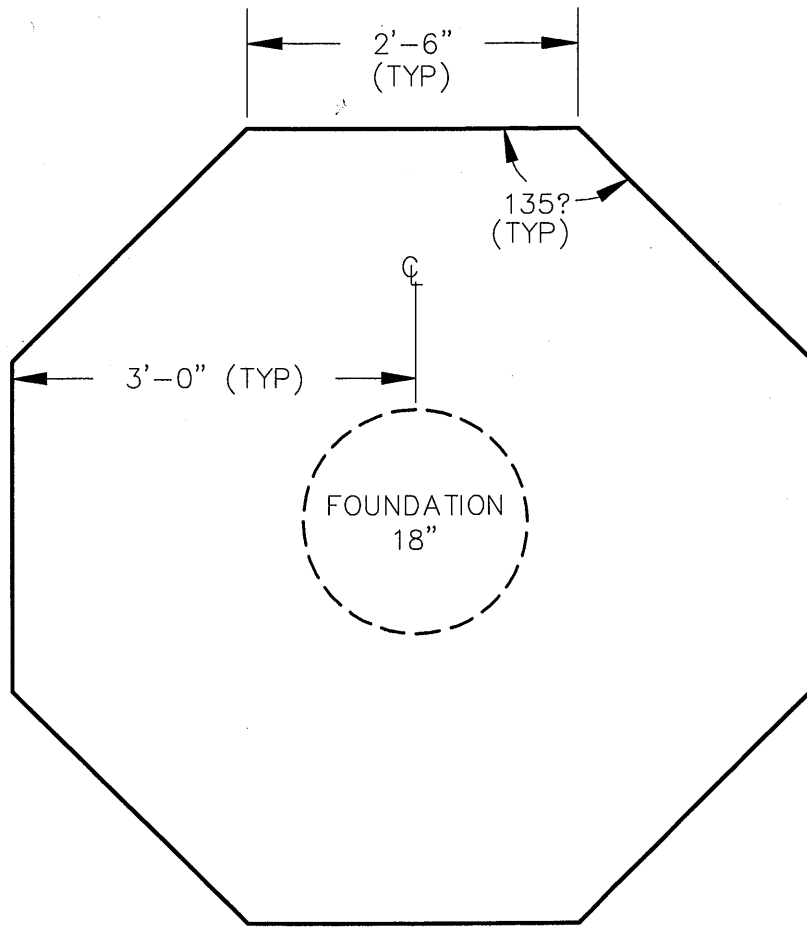
DWG. NO.

SLA-1(B)

DATE: MAY 26, 1990

APPROVED:

010-60

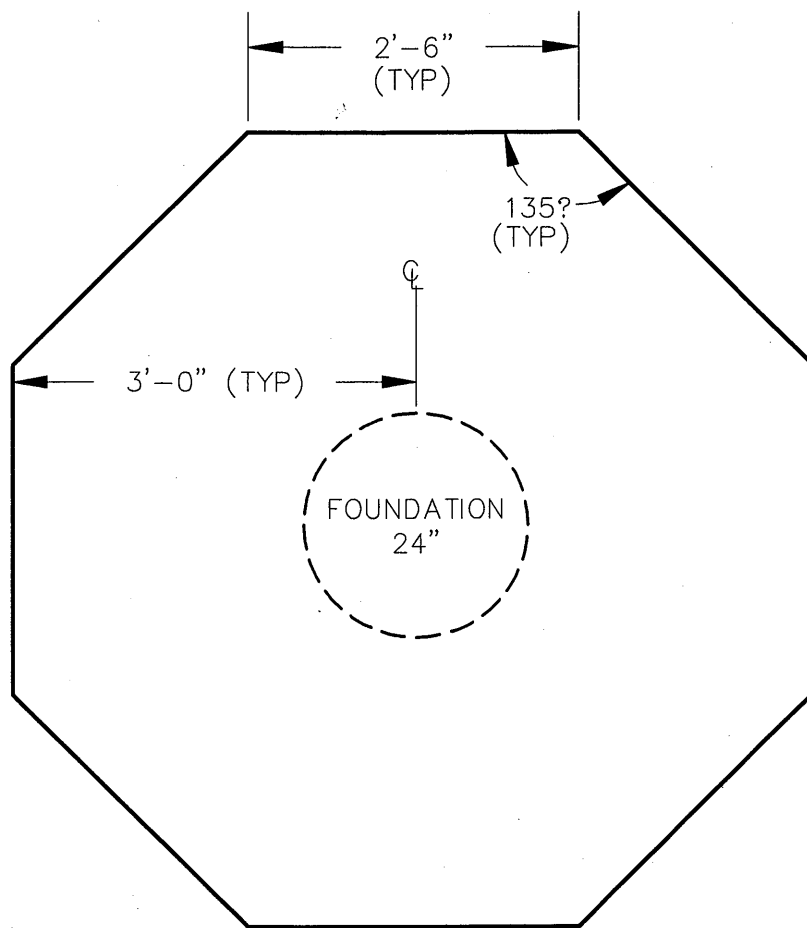


FULL APRON

FOUNDATION APRON DETAILS

4" THICK CONCRETE APRON AT EACH FOUNDATION LOCATION,
POURED IN CONJUNCTION WITH SIDEWALK CONSTRUCTION AND
PAYMENT SHALL BE INCLUDED IN PRICE OF FOUNDATION.

<p>LAFAYETTE UTILITIES SYSTEM ENGINEERING DIVISION</p>	<p><u>FOUNDATION APRON FOR 30' AL STANDARD</u></p>	<p>DWG. NO. SLFD-30A</p>
<p>DATE: 11/13/02</p>	<p>APPROVED:</p>	



FULL APRON

FOUNDATION APRON DETAILS

4" THICK CONCRETE APRON AT EACH FOUNDATION LOCATION, POURED IN CONJUNCTION WITH SIDEWALK CONSTRUCTION AND PAYMENT SHALL BE INCLUDED IN PRICE OF FOUNDATION.

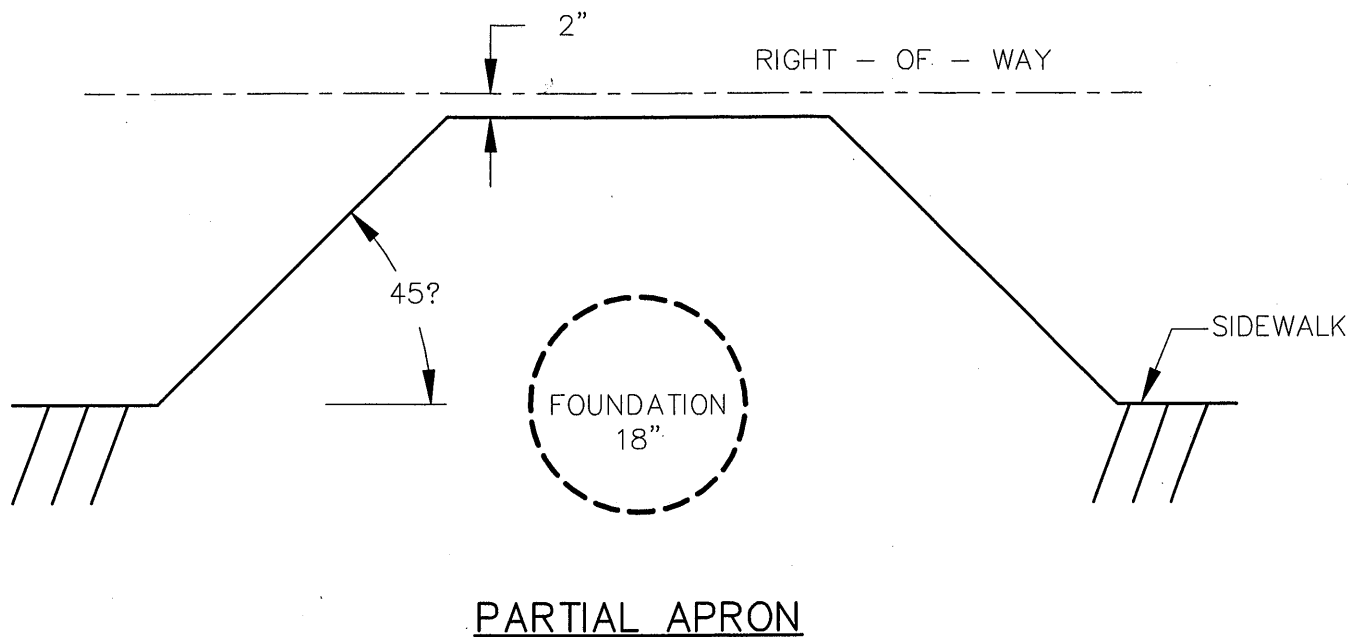
**LAFAYETTE
UTILITIES SYSTEM
ENGINEERING DIVISION**

FOUNDATION APRON
FOR 40' AL STANDARD

**DWG. NO.
SLFD-40A**

DATE: 11/13/02

APPROVED:



FOUNDATION APRON DETAILS

4" THICK CONCRETE APRON AT EACH FOUNDATION LOCATION,
POURED IN CONJUNCTION WITH SIDEWALK CONSTRUCTION AND
PAYMENT SHALL BE INCLUDED IN PRICE OF FOUNDATION.

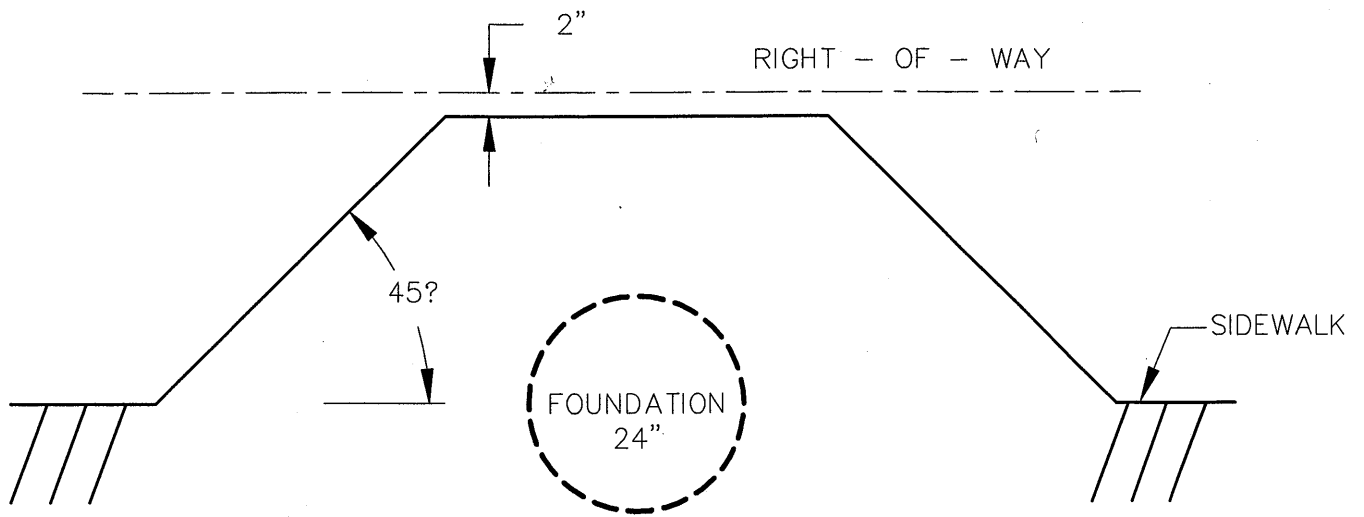
**LAFAYETTE
UTILITIES SYSTEM
ENGINEERING DIVISION**

FOUNDATION PARTIAL APRON
FOR 30' AL STANDARD

**DWG. NO.
SLFD-30P**

DATE: 11/13/02

APPROVED:

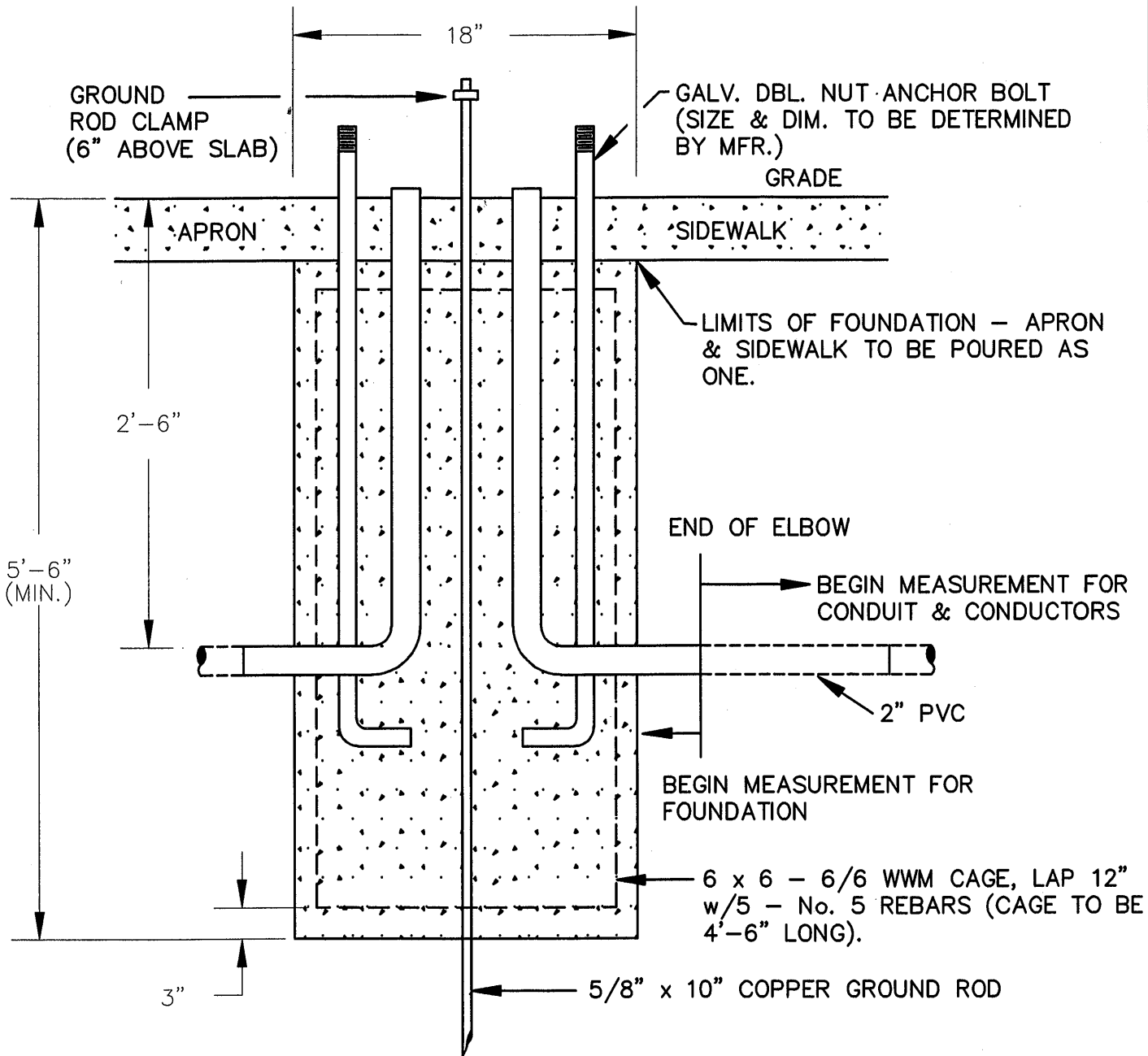


PARTIAL APRON

FOUNDATION APRON DETAILS

4" THICK CONCRETE APRON AT EACH FOUNDATION LOCATION,
POURED IN CONJUNCTION WITH SIDEWALK CONSTRUCTION AND
PAYMENT SHALL BE INCLUDED IN PRICE OF FOUNDATION.

<p>LAFAYETTE UTILITIES SYSTEM ENGINEERING DIVISION</p>	<p><u>FOUNDATION PARTIAL APRON FOR 40' AL STANDARD</u></p>	<p>DWG. NO. SLFD-40P</p>
<p>DATE: 11/13/02</p>	<p>APPROVED:</p>	



ITEM FOR FOUNDATION INCLUDES CONDUCTORS IN FOUNDATION AND 4" 6-FOOT OCTAGONAL CONCRETE APRON.

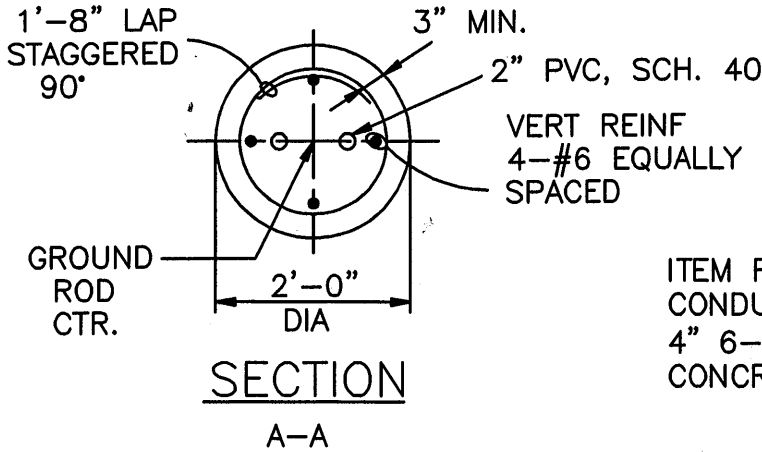
FOR USE WITH 30' POLE ONLY

**LAFAYETTE
UTILITIES SYSTEM
ENGINEERING DIVISION**

DATE: FEB. 20, 2002 APPROVED:

30' LIGHT STANDARD
FOUNDATION

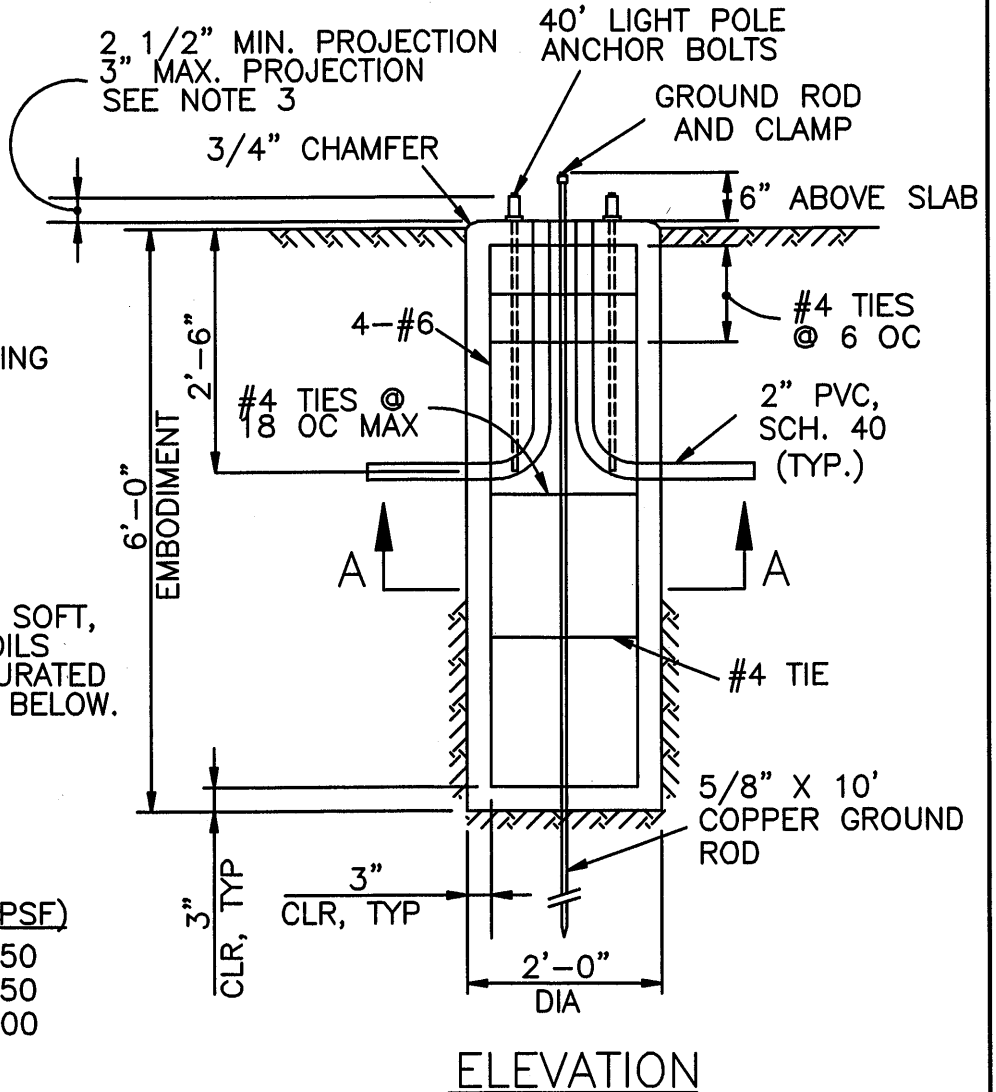
DWG. NO.
SLA-30



ITEM FOR FOUNDATION INCLUDES CONDUCTORS IN FOUNDATION AND 4" 6-FOOT OCTAGONAL CONCRETE APRON.

NOTES:

1. CONCRETE: 3000 PSI
2. REINFORCING STEEL: GRADE 60 BAR.
3. ANCHOR BOLTS: SUPPLIED W/POLE. VERIFY ANCHOR BOLT PROJECTION W/POLE SUPPLIED.
4. FOR USE WITH THE FOLLOWING 40' STANDARD ALUMINUM LIGHT POLES.
 STOCK 10610008, WITH SINGLE 8' ARM.
 STOCK 10610023, WITH DOUBLE 8' ARMS.
5. FOUNDATION DESIGNED FOR SOFT, MEDIUM AND STIFF CLAY SOILS UNDER BOTH DRY AND SATURATED CONDITIONS, USING VALUES BELOW.



DENSITY(PCF)

SOIL	DRY	SAT	CU(PSF)
SOFT CLAY	100	50	250
MED CLAY	120	60	750
STIFF CLAY	140	80	2000

TOP 1' OF SOIL NEGLECTED IN ANALYSIS.

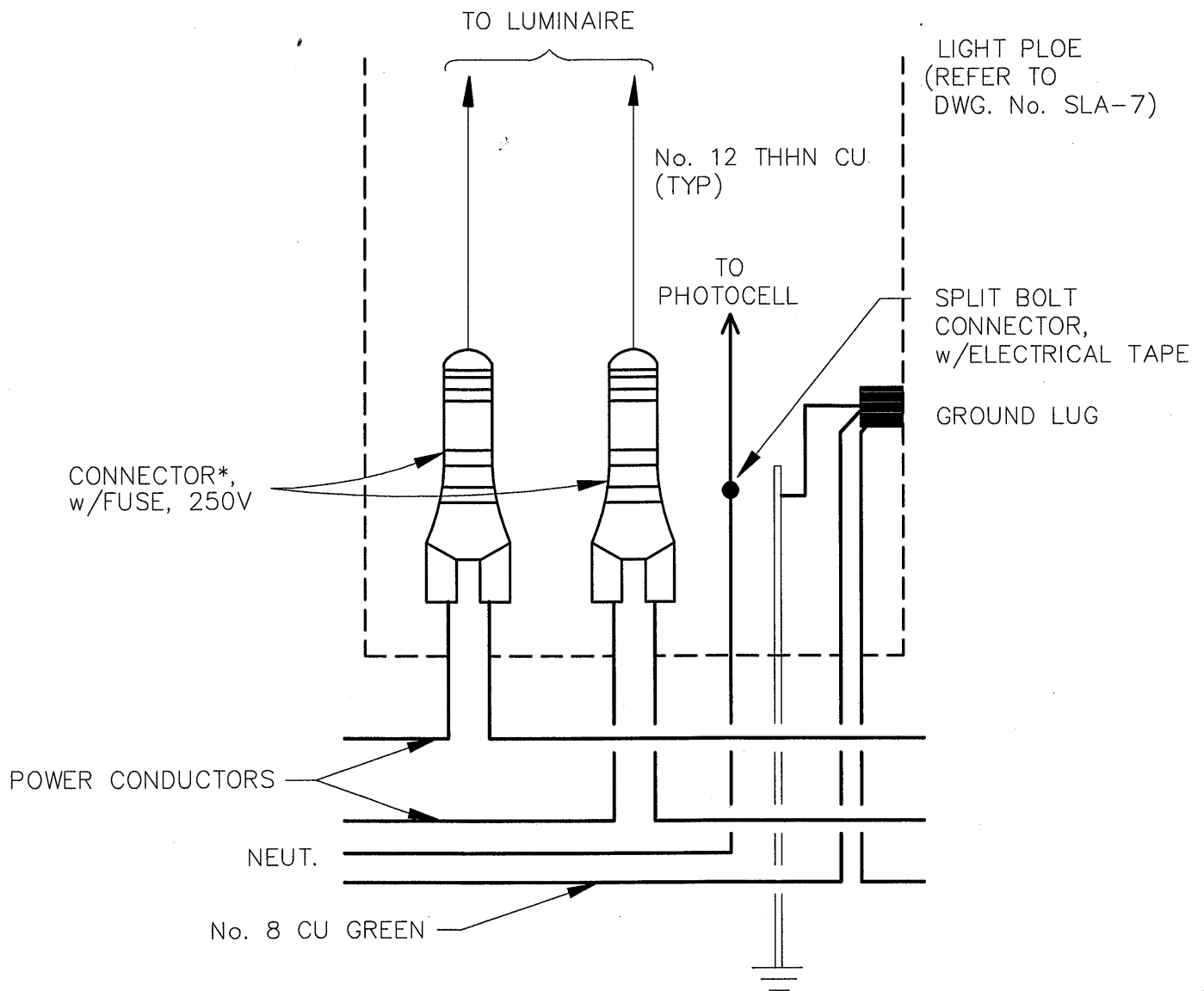
**LAFAYETTE
UTILITIES SYSTEM
ENGINEERING DIVISION**

40' LIGHT STANDARD
FOUNDATION

DWG. NO.
SLA-40

DATE:

APPROVED:



ITEM	STOCK NO	QUANTITY	DESCRIPTION
1	10604001	2	BUSSMAN TRON HEB-ALU-RYC FUSEHOLDER (OR EQUAL)
2	10754210	2	FUSE, SUPPLEMENTARY, FAST ACTING, 13/32" x 1-1/2", 10 AMP
3	10754220	2	FUSE, SUPPLEMENTARY, FAST ACTING, 13/32" x 1-1/2", 20 AMP
4	---	1	COPPER SPLIT-BOLT CONNECTOR
5	---	LOT	SCOTCH #33 TAPE
			* BREAKAWAY PER LATEST ASTB

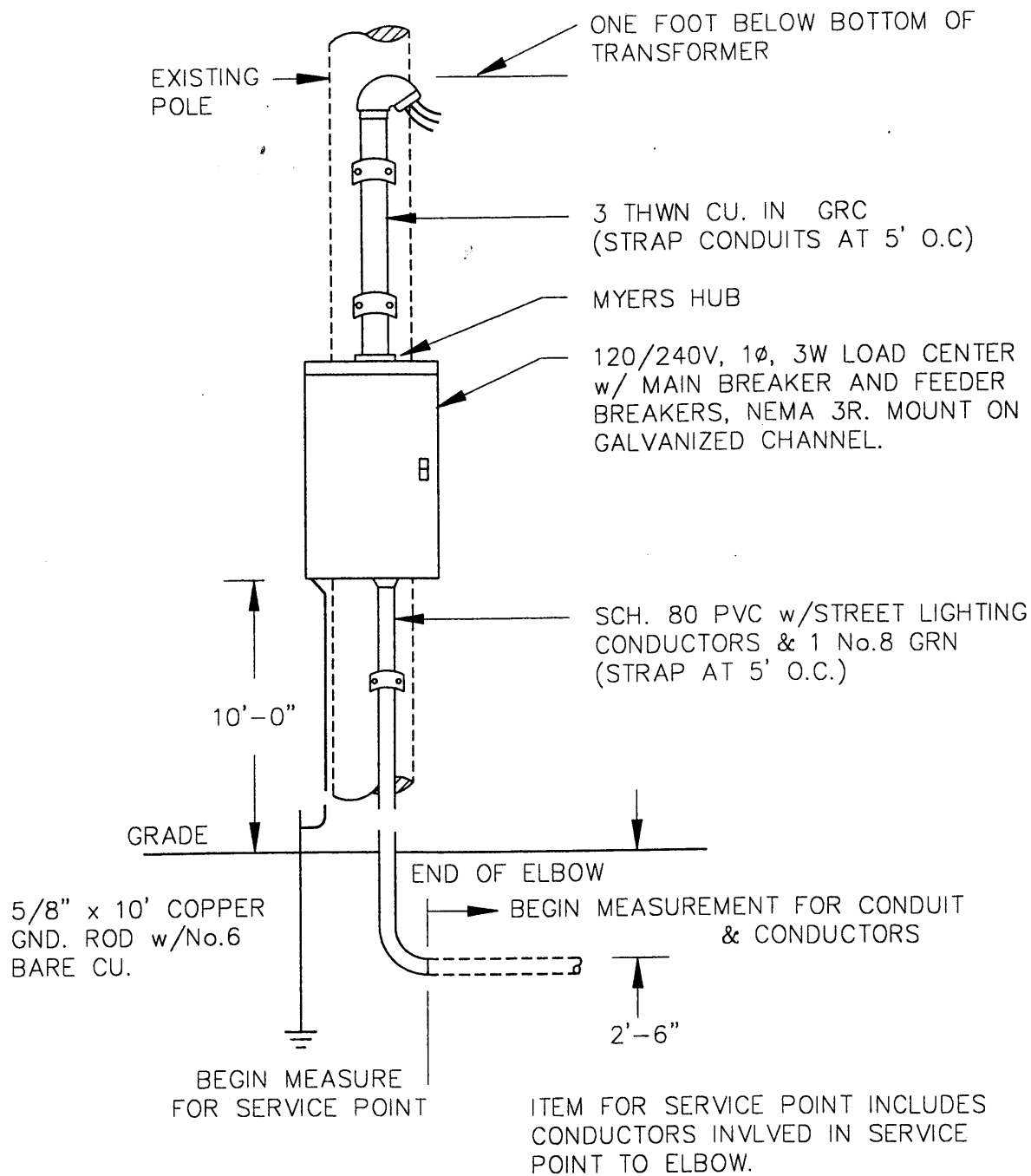
**LAFAYETTE
UTILITIES SYSTEM
ENGINEERING DIVISION**

POLE WIRING DETAIL

DWG. NO.
SLA-6

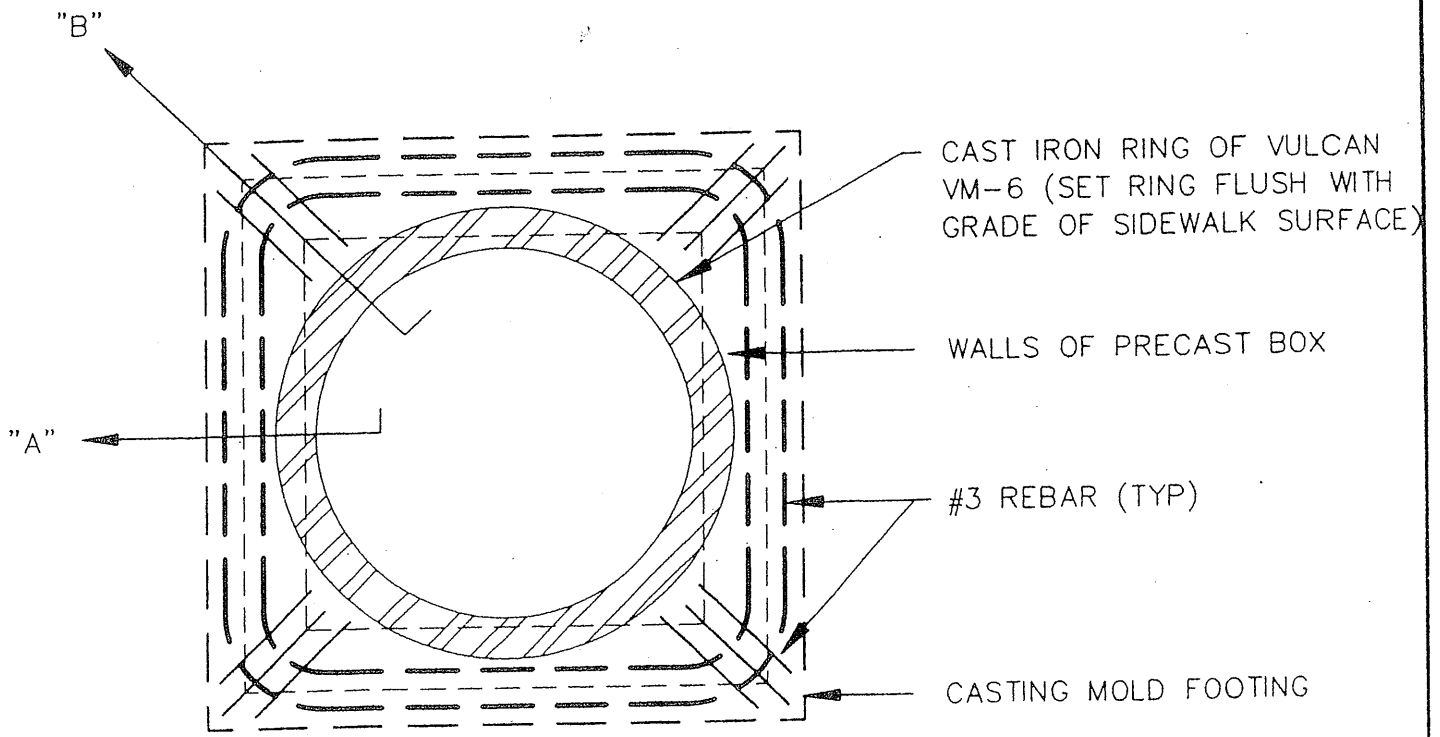
DATE: 11/18/02

APPROVED:



ITEM	STOCK NO	QUANTITY	DESCRIPTION
1	---	1	GRC CLAMP-ON WEATHER HEAD
2	---	LOT	GRC CONDUIT
3	---	LOT	GRC TWO-HOLE CLAMP
4	---	1	LIGHTING CONTROLLER
5	---	LOT	#6 BARE COPPER
6	---	1	5/8" x 10' COPPER BROUND ROD

LAFAYETTE UTILITIES SYSTEM ENGINEERING DIVISION		<u>STREET LIGHTING SERVICE POINT</u>	DWG. NO. SLA-7
DATE: AUGUST 7, 1990	APPROVED:		



TOP VIEW - HANDHOLE

LAFAYETTE
 UTILITIES SYSTEM
 ENGINEERING DIVISION

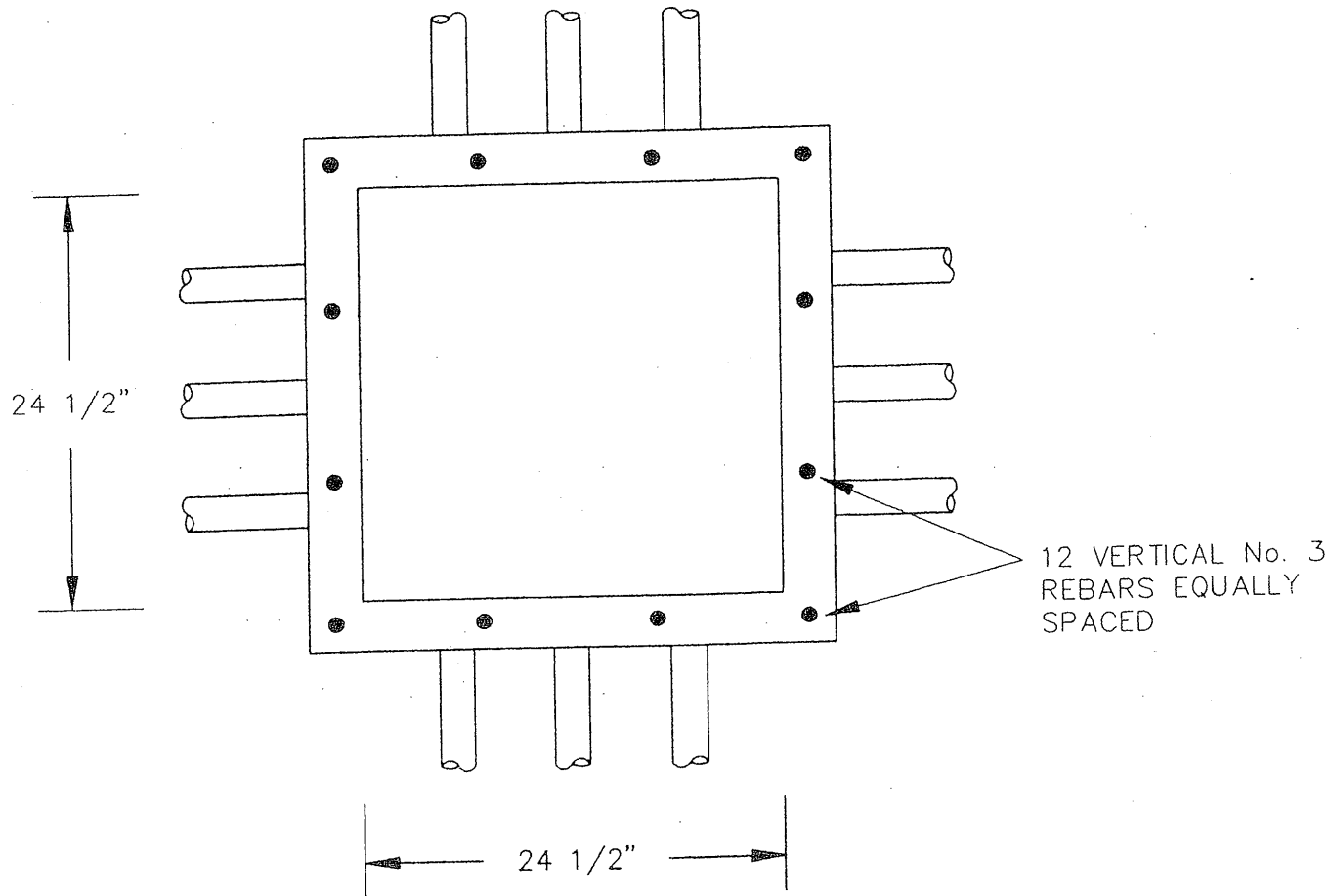
HANDHOLE

DWG. NO.
 SLA-8(A)

DATE: JULY 29, 1990

APPROVED:

PROVIDE THREE CONDUITS EVENLY SPACED ALL SIDES
UNUSED CONDUITS TO BE 3" SIZE, STUBBED 24" OUT
& CAPPED. USED CONDUITS TO BE WELL GROUTED.



SECTION THROUGH PRECAST BOX

LAFAYETTE
UTILITIES SYSTEM

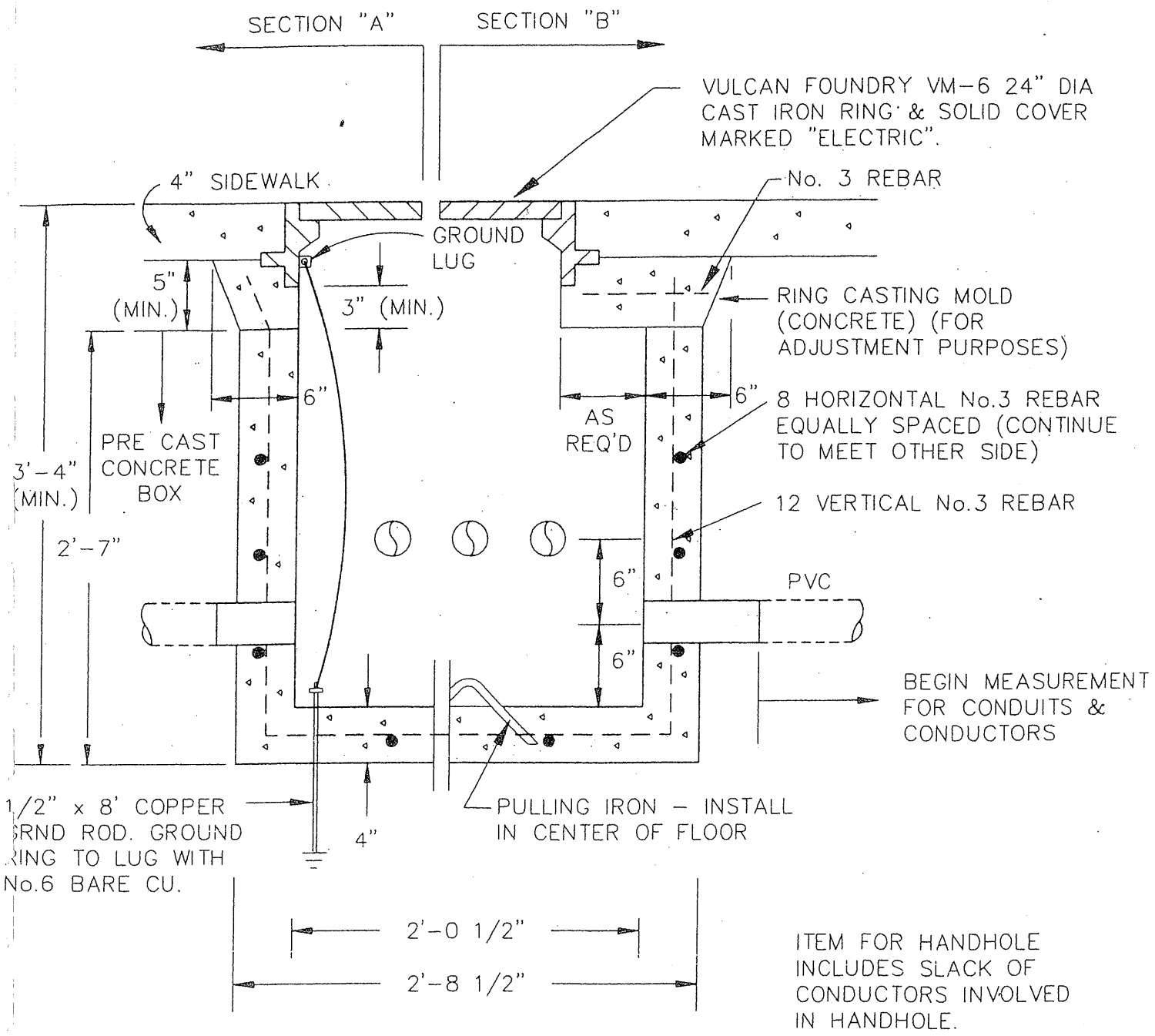
ENGINEERING DIVISION

DATE: JULY 29, 1990

APPROVED:

HANDHOLE

DWG. NO.
SLA-8(B)



SECTION

ITEM FOR HANDHOLE
INCLUDES SLACK OF
CONDUCTORS INVOLVED
IN HANDHOLE.

LAFAYETTE
UTILITIES SYSTEM
ENGINEERING DIVISION

HANDHOLE

DWG. NO.
SLA-8(C)

JULY 29, 1990

APPROVED:

1. ALL CONDUIT TO HAVE A MINIMUM COVER OF 30".
2. CONTRACTOR IS REFERRED TO THE ROADWAY DRAWINGS FOR ALL UNDERGROUND AND OVERHEAD OBSTRUCTIONS NOT SHOWN HERE. CONTRACTOR SHALL BE RESPONSIBLE TO BRING ANY CONFLICTS TO THE ATTENTION OF THE ENGINEER AND SHALL NOT PROCEED WITH THAT PARTICULAR WORK UNTIL DIRECTED BY THE ENGINEER.
3. ALL FOUNDATIONS AND CONDUITS TO BE PLACED WITHIN THE RIGHT-OF-WAY.
4. ALL CONDUCTORS TO BE STRANDED COPPER, 600 VOLT INSULATION. OPERATING VOLTAGE IS 240 VOLT SINGLE-PHASE.
5. ALL CONDUIT TO BE SCHEDULE 40 PVC EXCEPT ACROSS ALL ROADWAYS, IN WHICH CASE CONDUIT TO BE SCHEDULE 80 PVC.
6. ALL CIRCUITS TO HAVE A #8 AWG GREEN COLORED CONDUCTOR (COPPER) FOR A SYSTEM GROUND.
7. ALL HANDHOLES SHALL BE LOCATED APPROXIMATELY IN THE MIDDLE OF THE SIDEWALK, BUT CAN BE LOCATED OTHERWISE IN THE FIELD BY THE ENGINEER. HANDHOLES TO BE FLUSH WITH GRADE.
8. IN REQUIRED HANDHOLES, USE SPLIT-BOLT CONNECTORS WITH SCOTCH CAST #85-12 UNDERGROUND SPLICE KIT.
9. STREET LIGHTING CONDUCTORS ARE MEASURED THE SAME LENGTH AS THE CONDUIT IT IS PLACED IN BELOW GRADE. CONDUCTORS INVOLVED IN STRUCTURES SHALL BE INCLUDED IN THE PRICE OF THE STRUCTURE.

LAFAYETTE
 UTILITIES SYSTEM
 ENGINEERING DIVISION

GENERAL NOTES

DWG. NO.
 SLA-9

DATE: JULY 29, 1990

APPROVED: